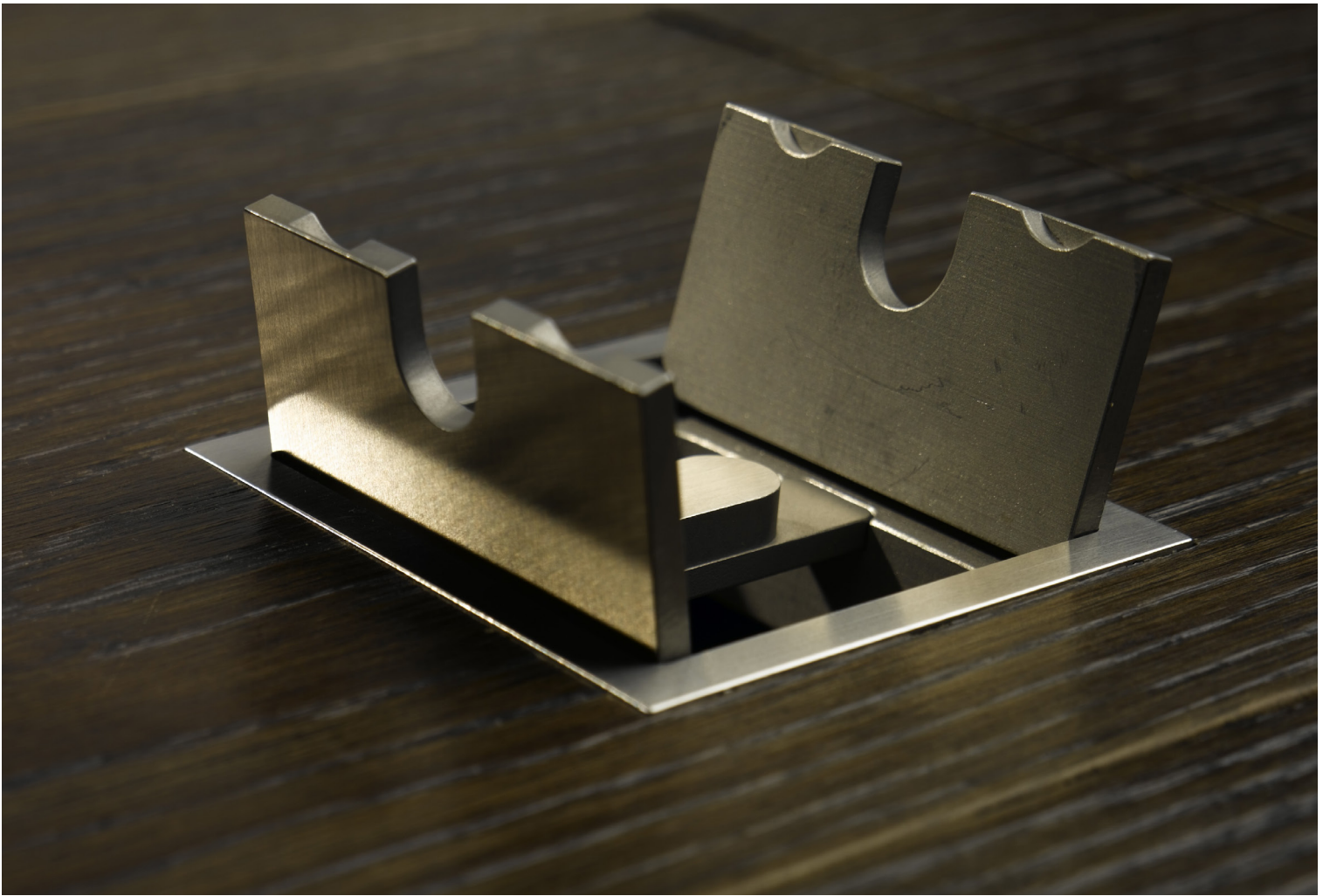


Flooring Complements

Floor Box



04/2026 BE BT EN 5

**Schotten
& Hansen**

Nature Refined.

Floor Box

Product specifications

Description	Schotten & Hansen floor box with flush lid and with electrical and data connection modules, consisting of: Anodized aluminum casing 5 mm with grounding terminal in compliance with VDE Height adjustable articulated feet Cover with stainless steel or brass cable outlet Panel Additional features: Floor level flush Without peripheral frame Adaptable to width of floor boards No impact sound transfer as a result of acoustic decoupling
Panel Variants*	Panel with device unit power socket (ready to connect casing) Panel with device unit data outlet (ready to connect casing) Blind panel for empty sockets/cavity sockets** d = 68 mm Panel VL.BT.08 without chasing
Assembly	Easy assembly during floor installation for existing screed/hollow flooring
Construction Requirements	Screed/hollow flooring height ≥ 110 mm Total installation height*** ≥ 131 mm Dry zone Screed/hollow flooring Floor covering thickness: 19 mm Traffic load ≤ 3 kN/m ²
Dimensions Floor Recess F	see Dimensions
Dimensions Floor Box	see Dimensions
Specifications	not suitable for wet rooms

*Optional

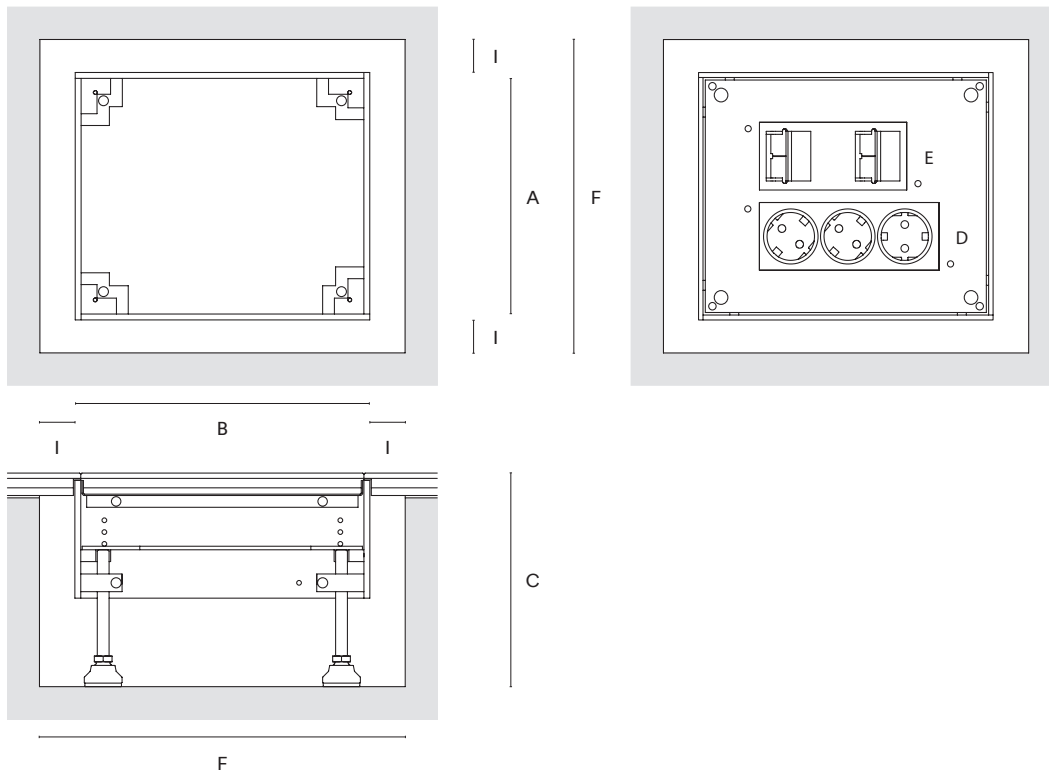
**Coordinated with the power socket covers from Gira and Busch-Jaeger; not included in shipment.

***Measurements quoted refer to a plug height of 40 mm and are subject to change for greater plug heights.

Floor Box

Dimensions*

	A	B	C	custom D	E	F
	Clear Width	Clear Length***	Height Min./Max.	Electrical Connections	Data Ports	Floor Recess W/L
VL.BT.01	200	240	132 / 260	0	4	300 / 340
VL.BT.02	200	320	132 / 260	3	0	300 / 420
VL.BT.03	240	320	132 / 260	3	4	300 / 420
VL.BT.04	240	320	132 / 260	6	0	300 / 420
VL.BT.05	200	200	132 / 260		4*	300 / 300
VL.BT.06	200	280	132 / 260		6*	300 / 380
VL.BT.07	280	280	132 / 260		9*	380 / 380
VL.BT.08**	200 - 320	200 - 320	132 / 260	custom	custom	300 - 420 / 300 - 420



All data quoted in mm /

*Number of total connections

**Individual configuration on site by electrician

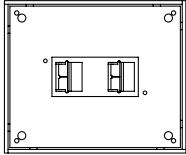
***Length in the direction of the floorboard

**Schotten
&Hansen**

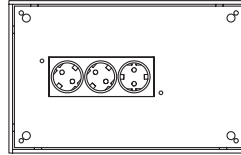
Floor Box

Design Variants

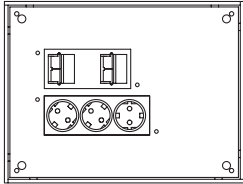
Panel configuration



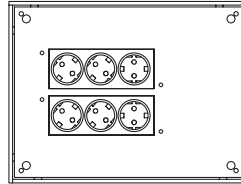
VL.BT.01 200 × 240 mm*
quadruple data socket



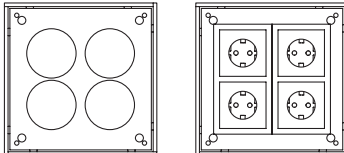
VL.BT.02 200 × 320 mm*
triple power socket



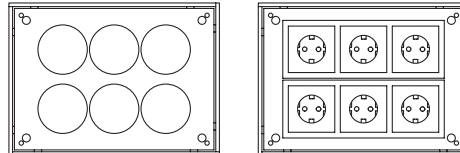
VL.BT.03 240 × 320 mm*
triple power socket
quadruple data socket



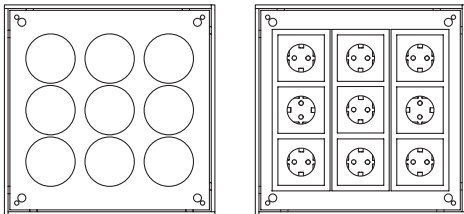
VL.BT.04 240 × 320 mm*
2 x triple power socket



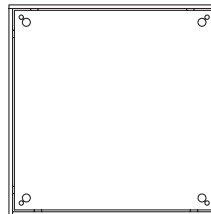
VL.BT.05 200 × 200 mm*
chasing for 4 cavity sockets d = 68 mm,
example configuration right



VL.BT.06 200 × 280 mm*
chasing for 6 cavity sockets d = 68 mm,
example configuration right



VL.BT.07 280 × 280 mm*
chasing for 9 cavity sockets d = 68 mm,
example configuration right



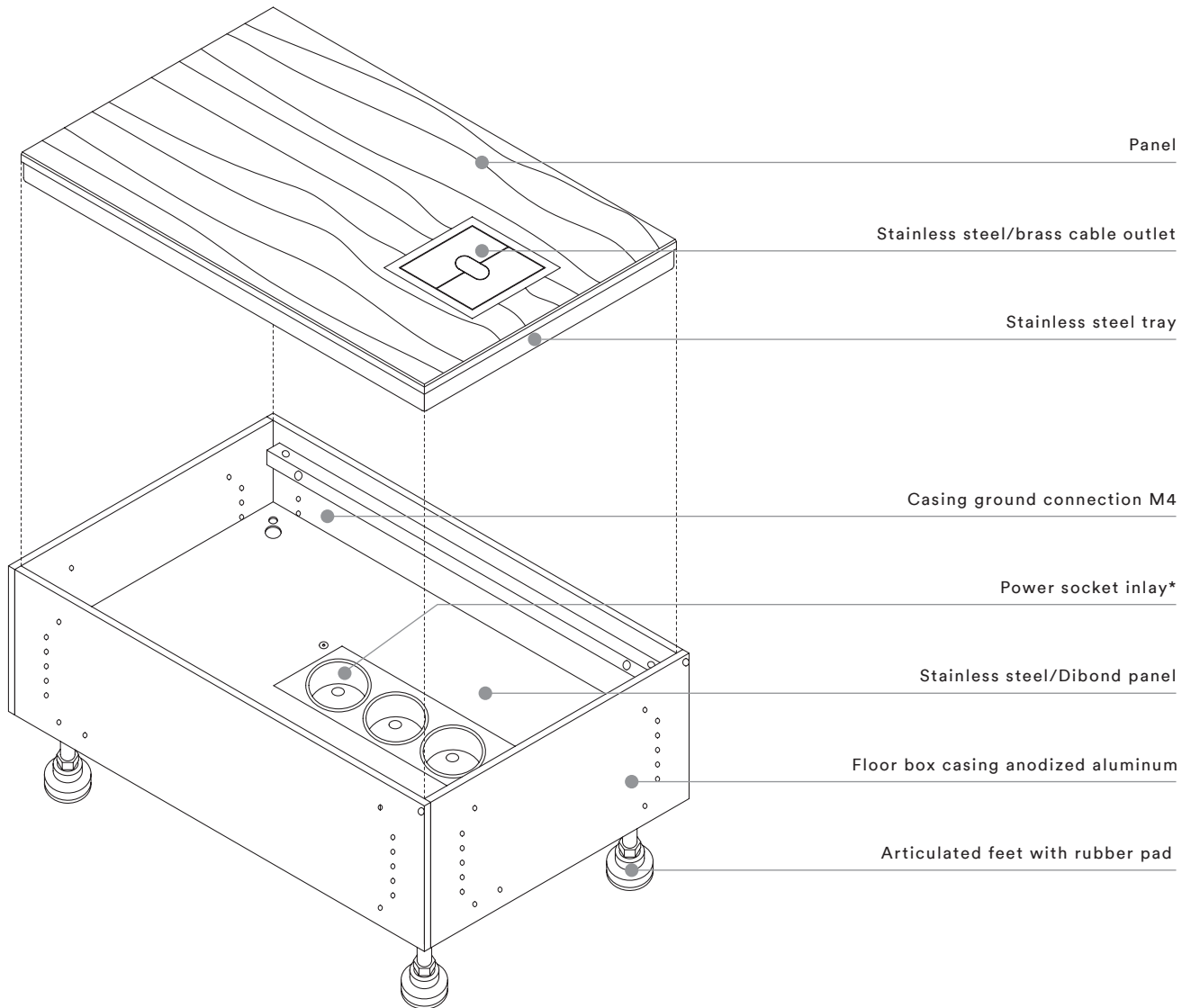
VL.BT.08**
without chasing (on site by electrician)

*Clear interior dimensions | **200–320 mm x 200–320 mm (40 mm grid)

Floor Box

Technical Data

Layout Floor Box



*EVoline® by Schulte Elektrotechnik

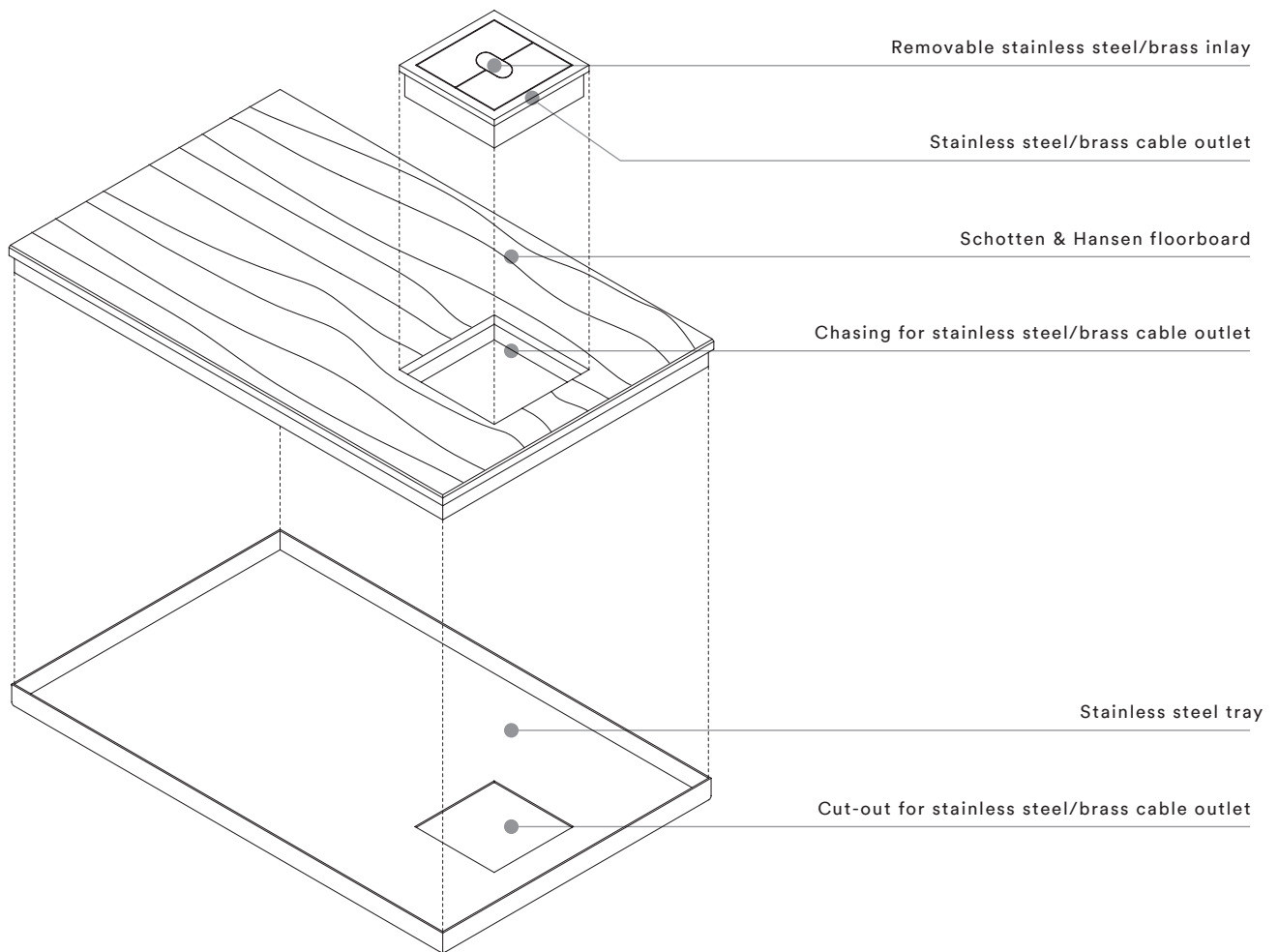
**Schotten
&Hansen**

Schotten & Hansen GmbH, August-Moralt-Straße 1-3, 86971 Peiting,
T +49 8861 90804-0, kontakt@schotten-hansen.com, www.schotten-hansen.com

Floor Box

Technical Data

Layout Floor Box Cover



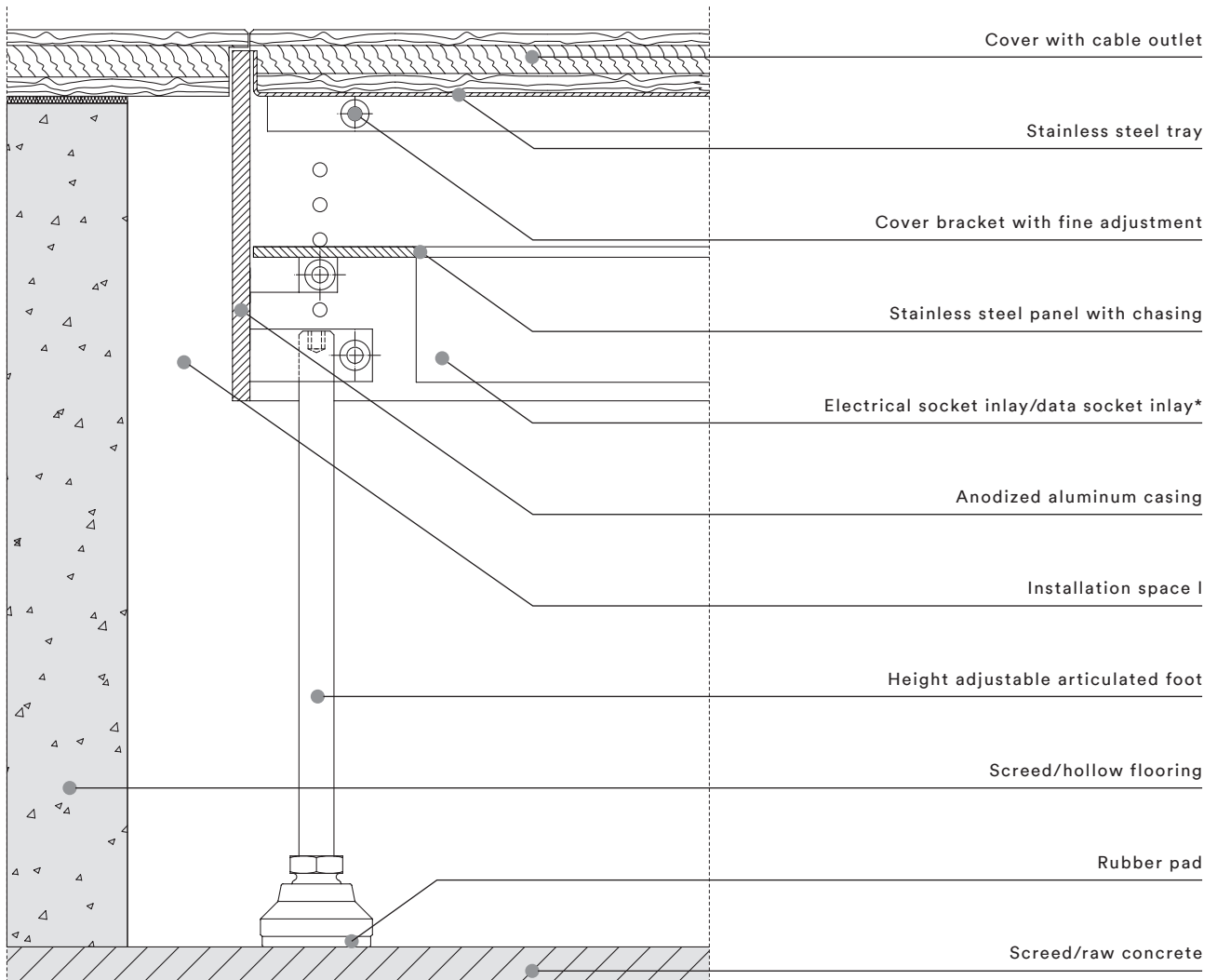
04/2026 BE BT EN 5

**Schotten
& Hansen**

Floor Box

Technical Data

Cross Section



*EVOLine® by Schulte Elektrotechnik

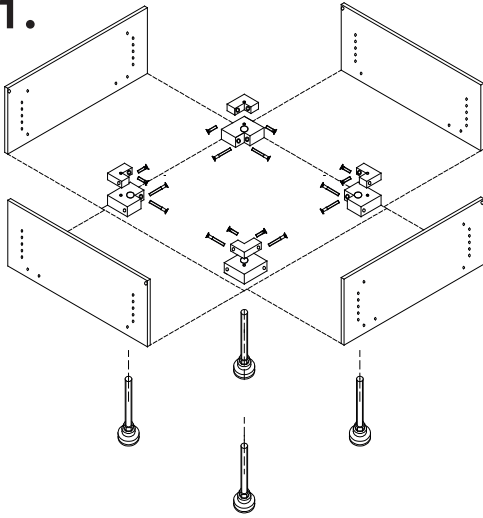
**Schotten
&Hansen**

Schotten & Hansen GmbH, August-Moralt-Straße 1-3, 86971 Peiting,
T +49 8861 90804-0, kontakt@schotten-hansen.com, www.schotten-hansen.com

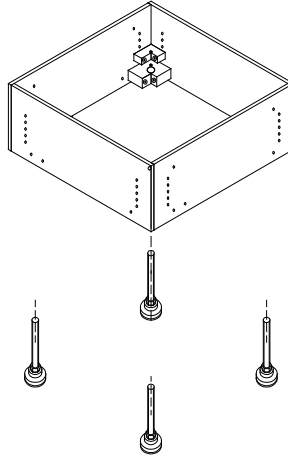
Floor Box

Assembly

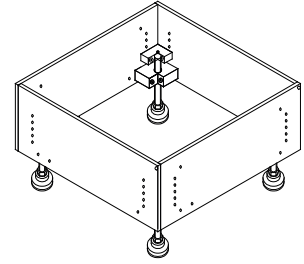
1.



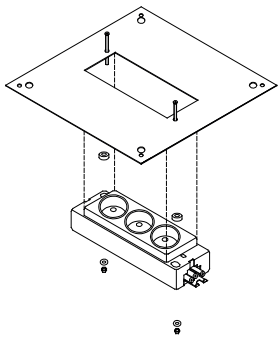
2.



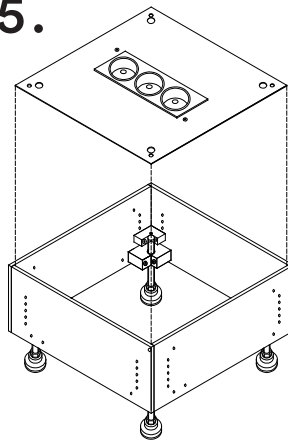
3.



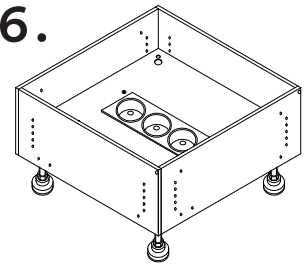
4.



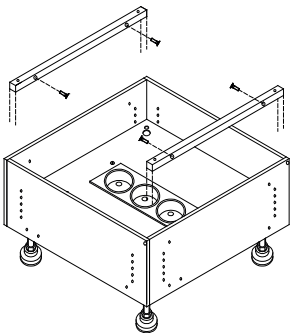
5.



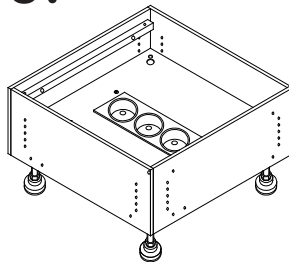
6.



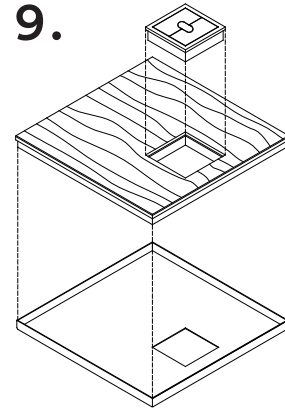
7.



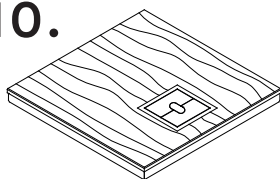
8.



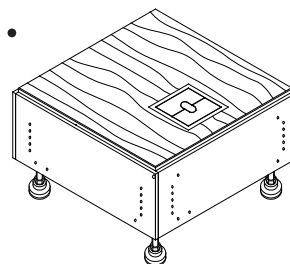
9.



10.



11.

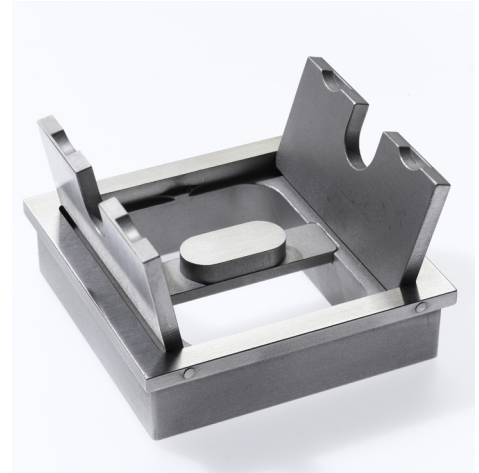
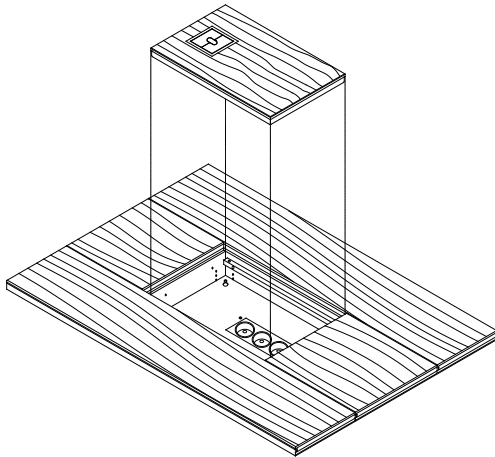


**Schotten
&Hansen**

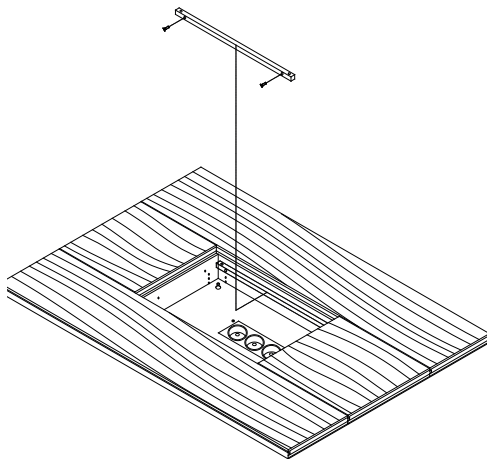
Floor Box

Assembly

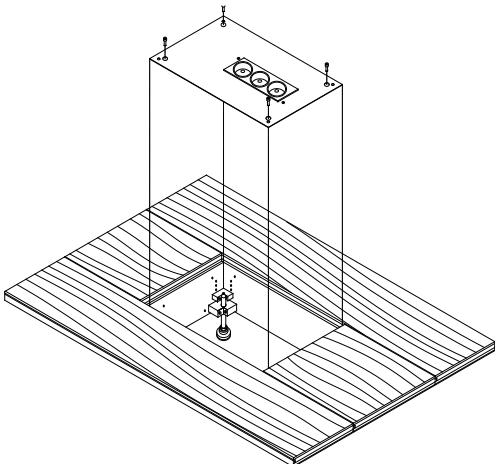
1.



2.



3.



Cable outlet in stainless steel

**Schotten
& Hansen**