

Staircase Collection

INTERIOR



Staircase Collection

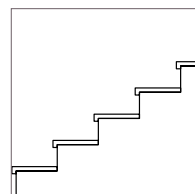
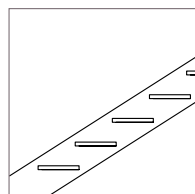
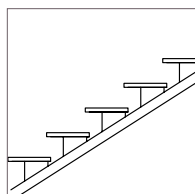
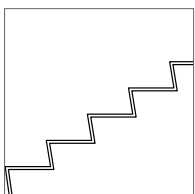
Schotten & Hansen recognise the need for integration in all areas of interior design and to assist in this, we offer the opportunity to customise stairs to match our full range of wood flooring.

Both contemporary and traditional styles are available to correspond with your particular design requirements.



Details

- Stairs and stair cladding are available in a variety of styles and construction types.
- Stairs are available in timbers to match any Schotten & Hansen floor.
- We offer a choice of standard nosings with further options available to suit specific design needs.
- Stairs are constructed using Schotten & Hansen triple layer boards and solid timber nosing. Construction techniques will vary according to nosing details.
- Offered in all colours, character selections and surface treatments to match the full range of Schotten & Hansen floors.
- Stairs are offered exclusively as a complement to the Schotten & Hansen range of timber flooring.

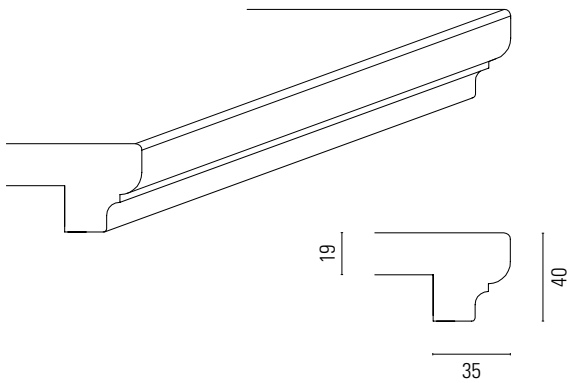


Staircase Collection

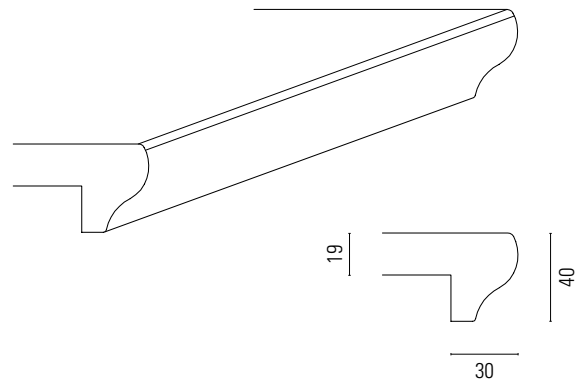
Variations

Profiles

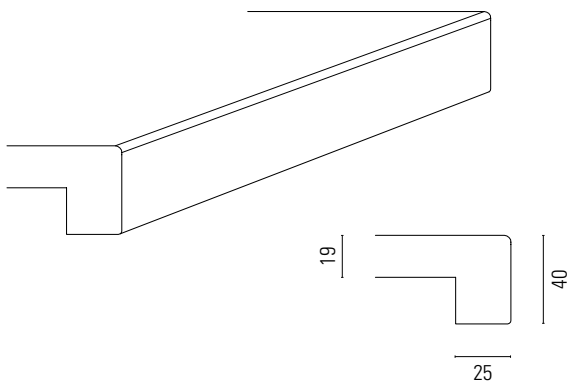
Profile SP01



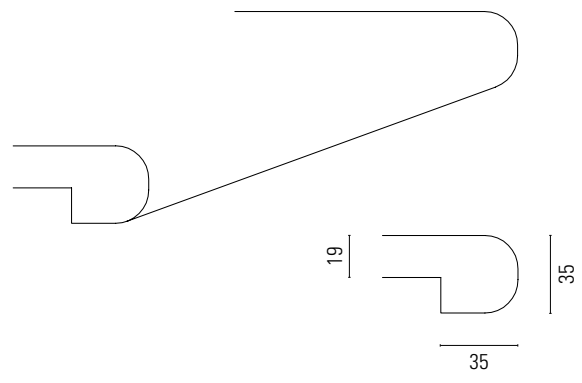
Profile SP02



Profile SP03



Profile SP04

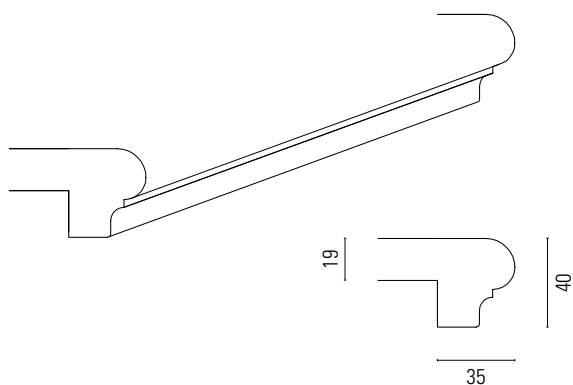


Staircase Collection

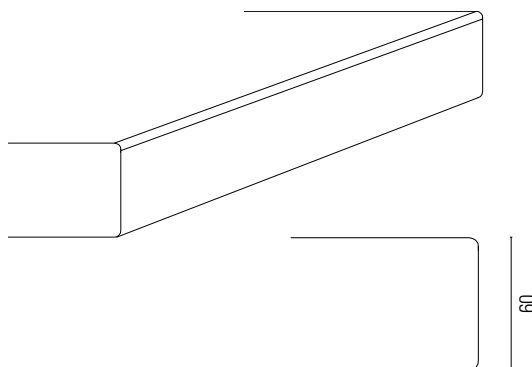
Variations

Profiles

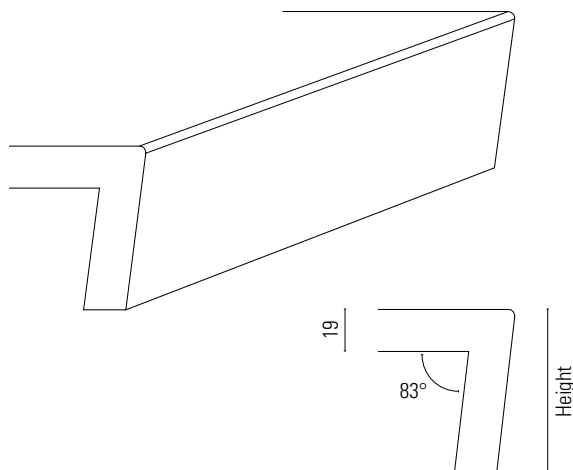
Profile SP05



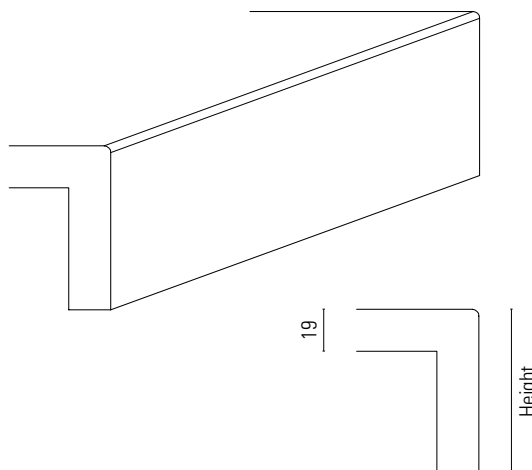
Profile SP06



Profile SP07



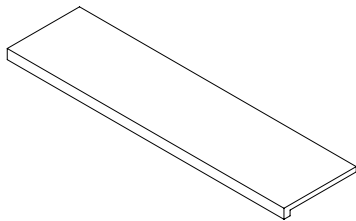
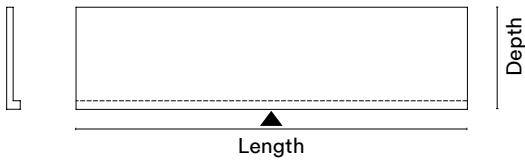
Profile SP08



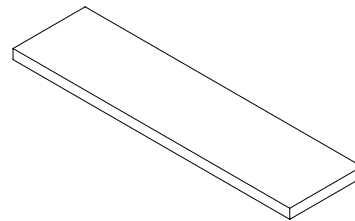
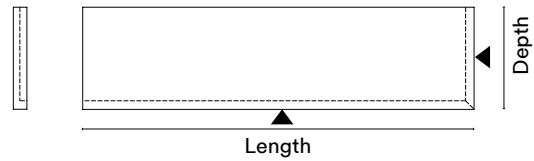
Staircase Collection

Variations

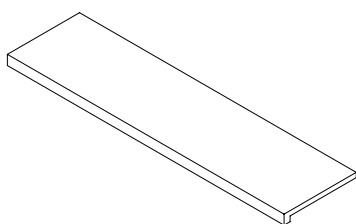
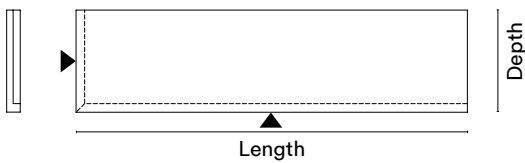
Type A
Profile SP01.01 –
Profile SP05.01



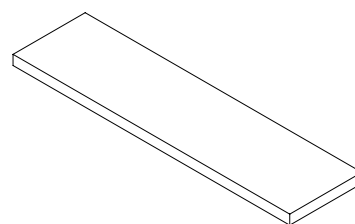
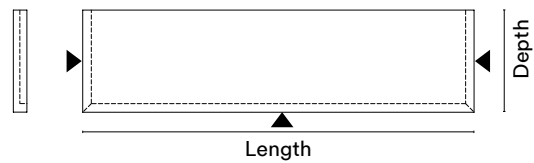
Type B
Profile SP01.01 –
Profile SP05.01



Type C
Profile SP01.01 –
Profile SP05.01



Type D
Profile SP01.01 –
Profile SP05.01

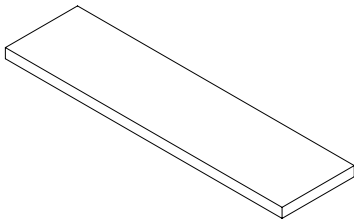
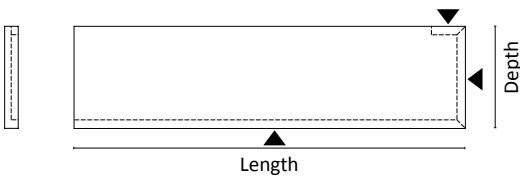


▲ visible edges

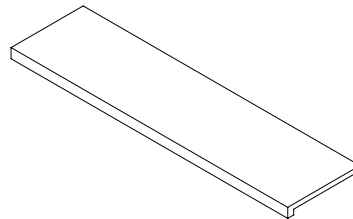
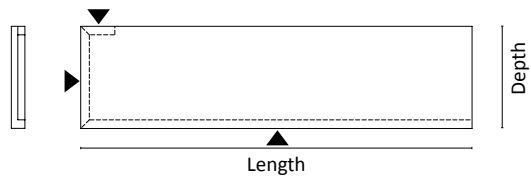
Staircase Collection

Variations

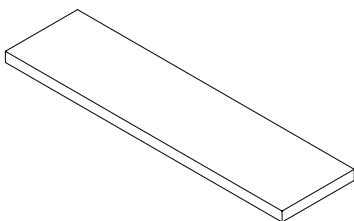
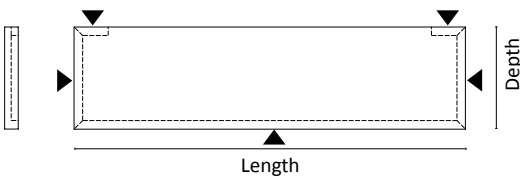
Type E
Profile SP01.01 –
Profile SP05.01



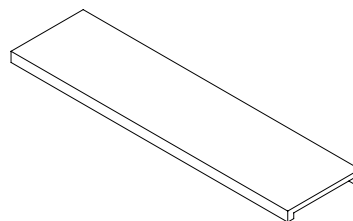
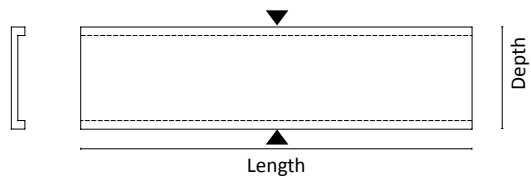
Type F
Profile SP01.01 –
Profile SP05.01



Type G
Profile SP01.01 –
Profile SP05.01



Type H
Profile SP01.01 –
Profile SP05.01

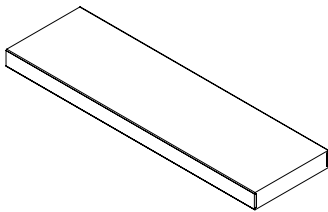
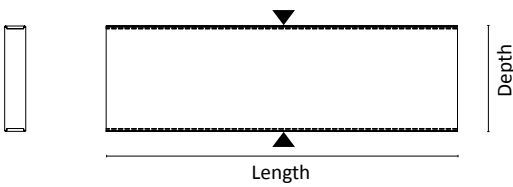


▲ visible edges

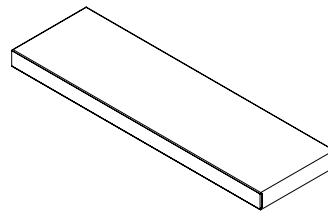
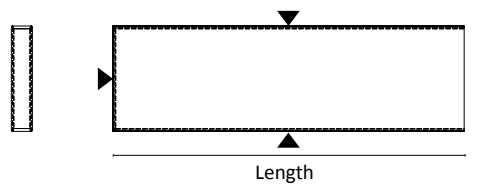
Staircase Collection

Variations

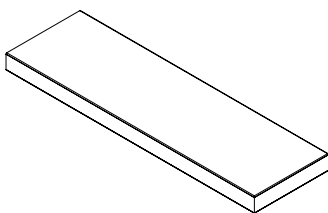
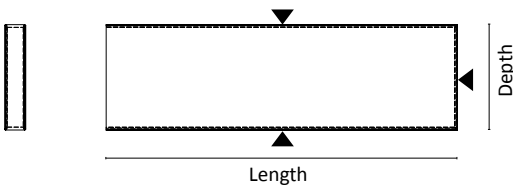
Type K
Profile SP06.01



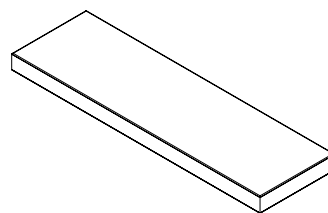
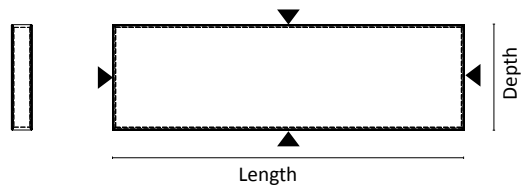
Type L
Profile SP06.01



Type M
Profile SP06.01



Type N
Profile SP06.01

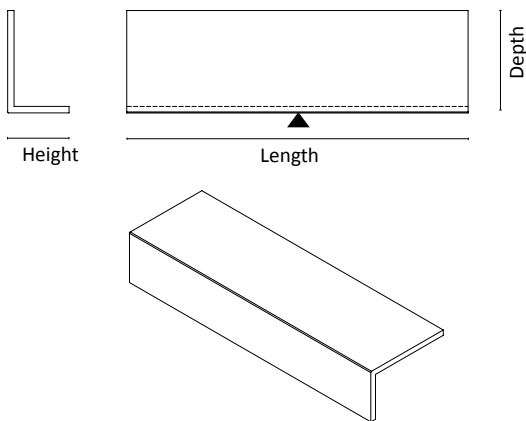


▲ visible edges

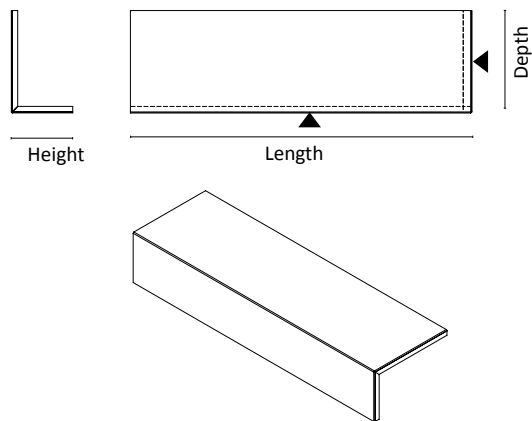
Staircase Collection

Variations

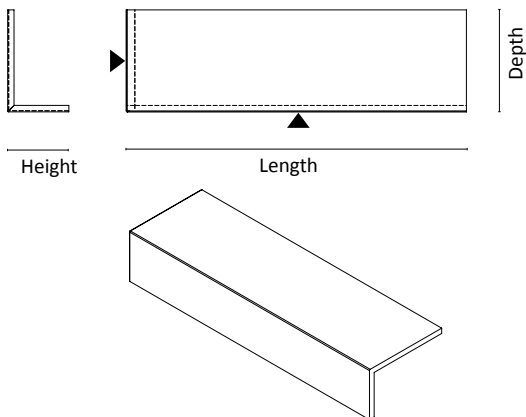
Type O
Profil SP07.01 –
Profil SP08.01



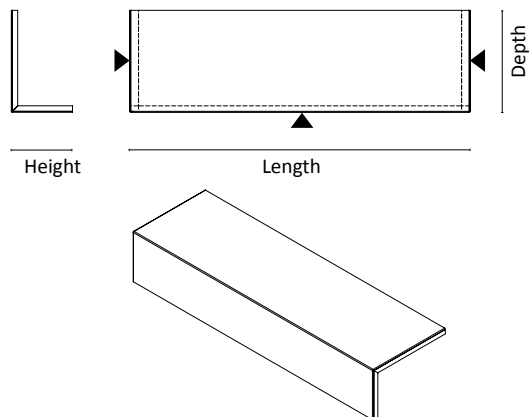
Type P
Profile SP07.01 –
Profile SP08.01



Type Q
Profile SP07.01 –
Profile SP08.01



Type R
Profile SP07.01 –
Profile SP08.01

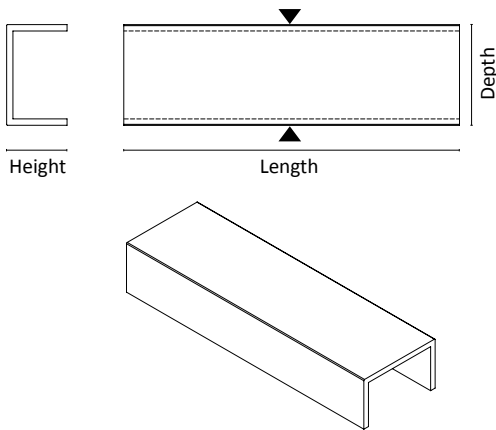


▲ visible edges

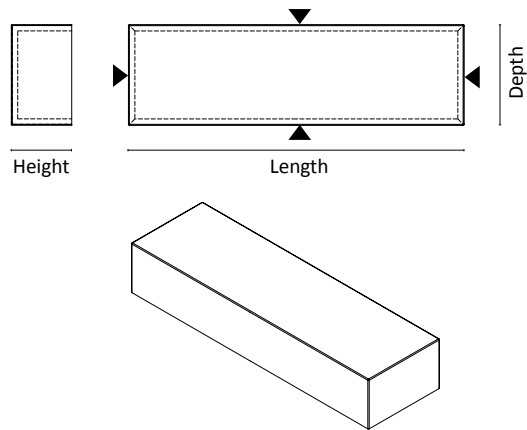
Staircase Collection

Variations

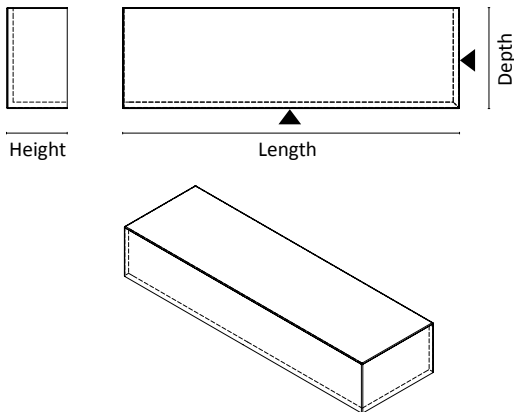
Type S
Profile SP07.01 –
Profile SP08.01



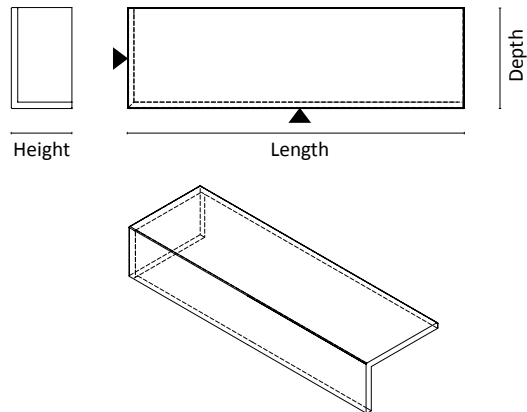
Type T
Profile SP07.01 –
Profile SP08.01



Type U
Profile SP07.01 –
Profile SP08.01



Type V
Profile SP07.01 –
Profile SP08.01

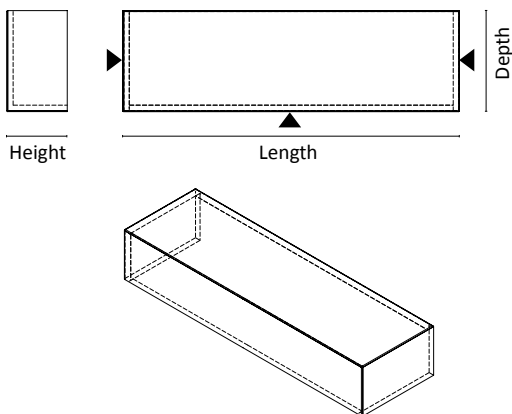


▲ visible edges

Staircase Collection

Variations

Type W
Profile SP07.01 –
Profile SP08.01

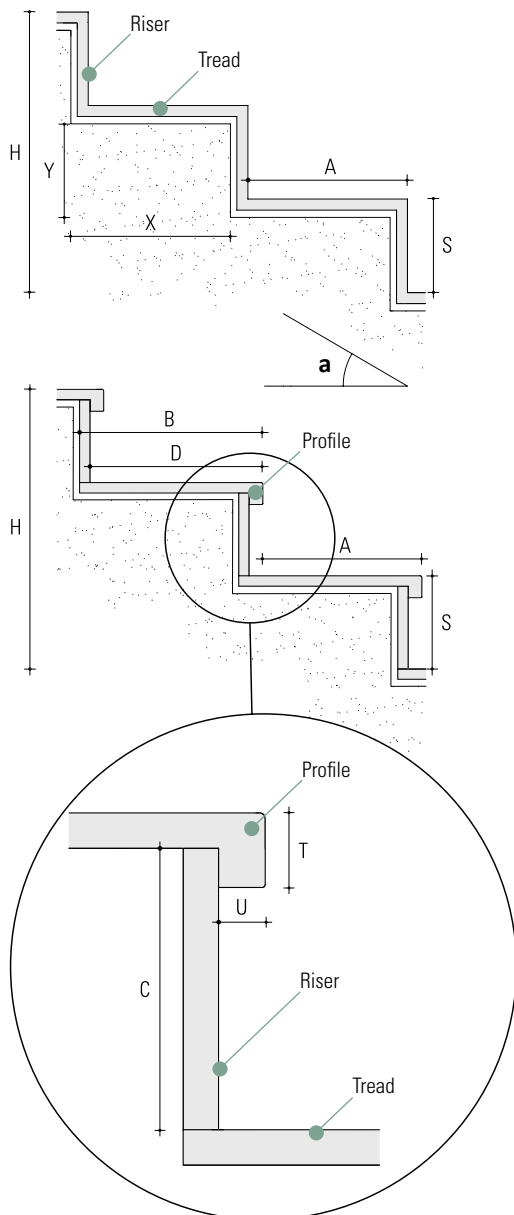


▲ visible edges



Staircase Collection

Glossary/Details



Essential for the physical effort when climbing a stair is the rise ratio S/A , which is derived from the inseam of an adult human. This is on average 63 cm. For the definition of a slope ratio with low energy requirements, the formula is: $2 S + A = 63$ cm. The for humans physiologically cheap „Get Work“ is given at an inclination angle of the staircase of 30° and a rise ratio of $S/A = 17/29$ cm.*

Overview of slope ratios (after pith ration) and tilt angles:

12,5/37,5	= 20°
15/33	= 24°
17/29	= 30° (optimum)
21/21	= 45°

(After DIN 18 065 A is max. 37 cm and S has to have min. 14 cm)

The stair barrel length is min. 3 and max . 18 successive - steps; during long flights of stairs every 18 steps should be arranged an intermediate landing at the latest. The number of steps is resulting from the rise number, which in turn derives from the floor height and slope (rise number = H/S). For the determination of the steps 1 is subtracted from the previous result.

Based on the slope ratio the ideal slope number is for example in a house with a floor height of around 270 cm 16 rises, which results in 15 steps or stages.

(*after Ernst Neufert „Bauentwurfslehre“ 35. Auflage)

A	B	C	D	H	S
Steps Tread	Depth-Tread	Height Riser	Steps Tread produced	Storey Height	Rise
T	U	X	Y	a	
Thick-ness Tread	Unter-tritt	Tread Shell	Rise Shell	Angle of inclina-tion	

Schotten & Hansen

Schotten & Hansen GmbH
August-Moralt-Strasse 1-3
86971 Peiting
Germany

Tel.: +49 8861 90804-100
Fax: +49 8861 90804-101
kontakt@schotten-hansen.com

www.schotten-hansen.com

All image rights are reserved by Schotten & Hansen GmbH.
The colour reproductions are only intended
to serve as an orientation and cannot be used as a reference of colour.