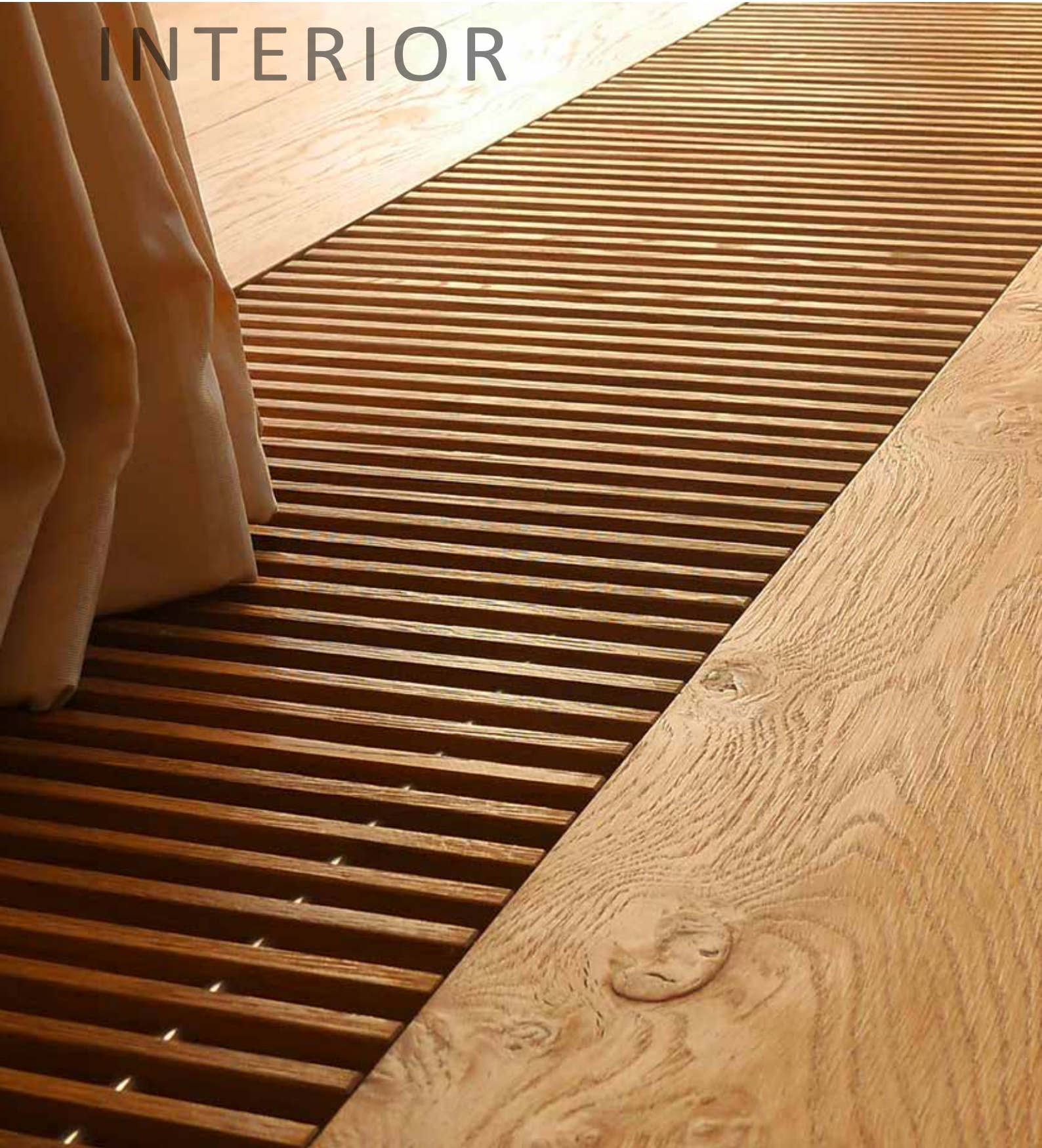


Convector Grids

INTERIOR



Convector Grids

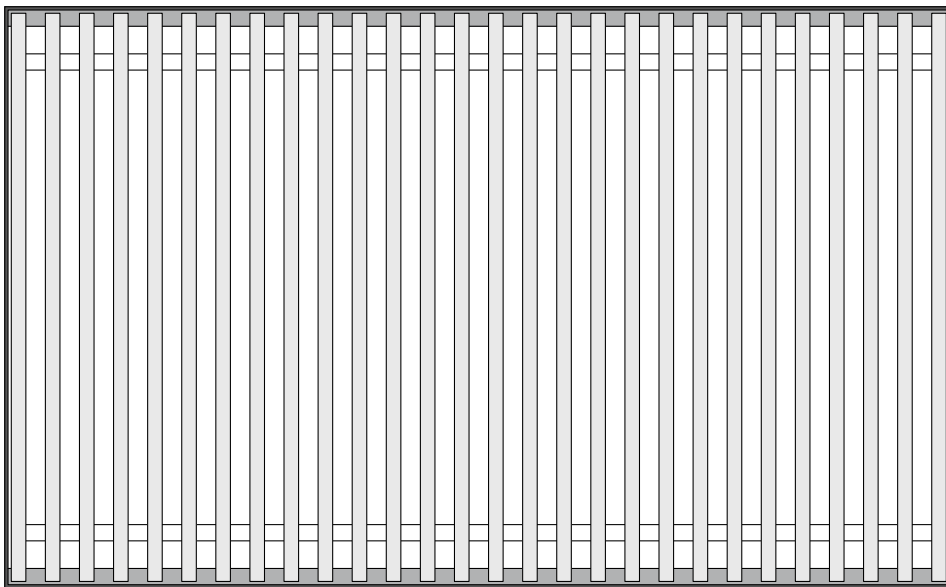
Contents

- 01 Dimensions**
- 02 Specifications**
- 03 Construction**
 - Design convector and convector grid
 - Schematic design convector with convector grid
- 04 Versions**

Dimensions

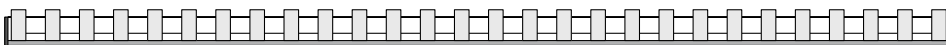
Dimensions*

A1	A2	B1	B2	C1	C2
Length Convactor grids	Clear length Convector (order dimension)	Width Convactor grids	Clear width Convector (order dimension)	Height Convactor grids	Clear height (top edge floor)
500–2000	502–2002	100–350	102–352	19–29	20–30



B1

B2



C1

C2

A1

A2

*All information in millimetres

Specifications

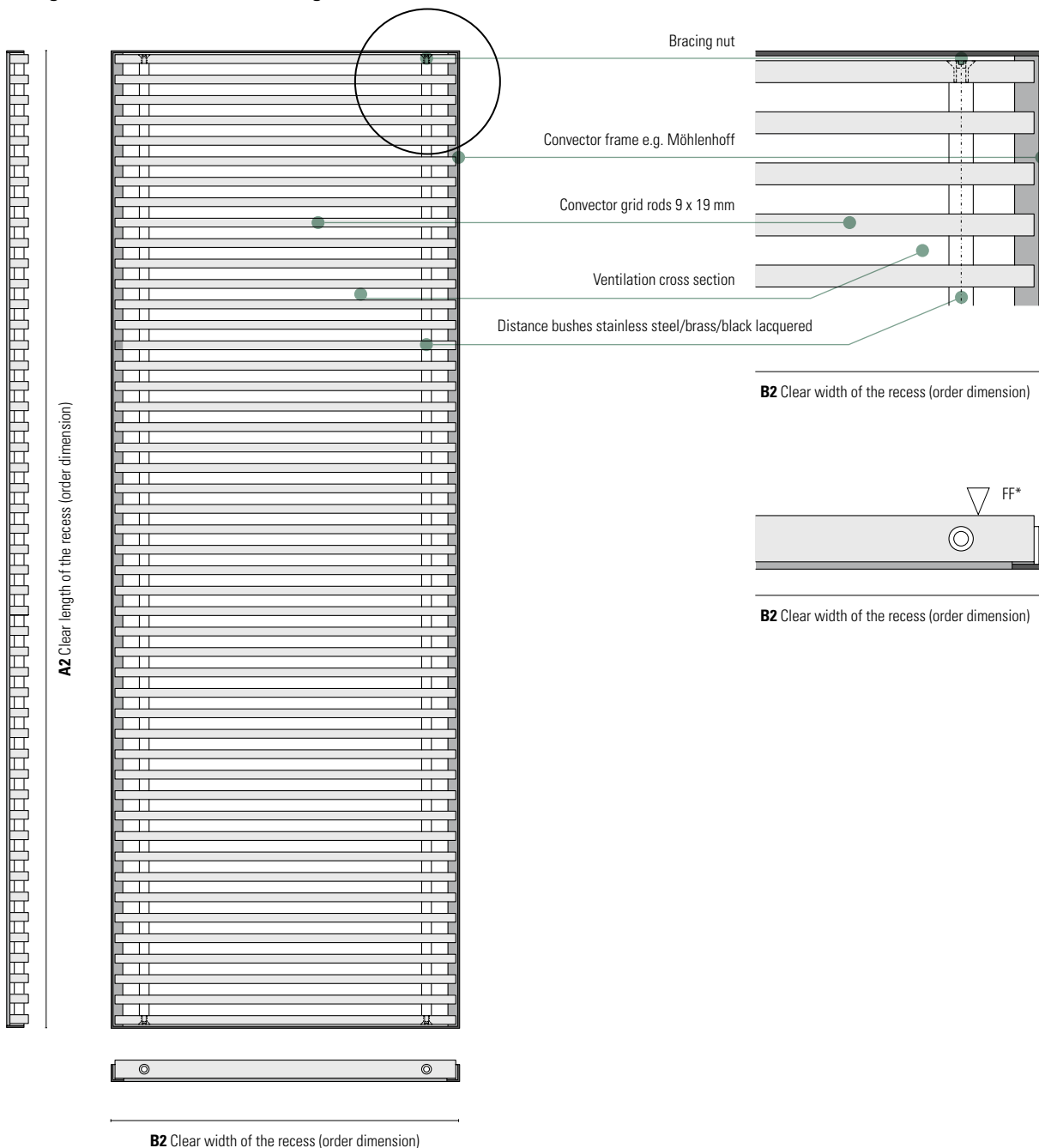
General Product Information

Description	Convector grids constructed from solid rods as heating and ventilation covers for indoor areas with exchangeable single rods
Material*	Solid oak wood rods with distance bushes made of stainless steel, brass or lacquered black
Colours	01 Pearl 02 Beach Shell 03 Honey Gold 04 Cinnamon 05 Antique Ivory 06.001 Oyster Dark 06.002 Oyster Light 07 Smoke 08 Sepia 09 Corn Gold 10 Cognac 11 Havana 12 Mocha 13 Dark Clay 14 Chocolate 15 Black Olive 16 Black Cherry 17 Linen 18 Pebble Stone 19 Drift Wood
Dimensions	Length A1: min. 500 mm max. 2000 mm Width B1: min. 100 mm max. 350 mm
Ventilation cross section	58 %–66 %, depending on length and width
Rod width / rod height**	9 mm width/height: 20–30 mm incl. glazing tape 1 mm
Surface weight	Approx. 9.5 kg/m ² at a ventilation cross section of 60 %
Alignment	Transversely to convector length
Load capacity	Max. 50 kg/rod at a total width ≤ 250 mm
Maximum load capacity	For normal loads (e.g. walking across) the maximum load capacity depends on the size of the load surface area. This means, that in order to calculate load capacity, the number of the rods to be stressed and the maximum single rod load capacity must be assessed. Example maximum load capacity for 5 rods: 5 x 50 kg = 250 kg (at a convector width of 250 mm)
Installation	No special installation measures required
Construction requirements	The convector must be mounted accurately. As of 250 mm width, a site-side support will be required. Increased requirements for planarity according to DIN 18202, Table 3, Line 4 (increased requirement floors with finished surfaces)
View into the inspection shaft	With a ventilation cross section of approx. 63 % and a distance starting from approx. 1.40 m and a height of 1.70 m, the view into the inspection shaft will be denied.
Special features	Glazing tape for acoustic separation of convector and convector grid

*oak, other timbers on request | **measurements may vary slightly due to production reasons

Construction

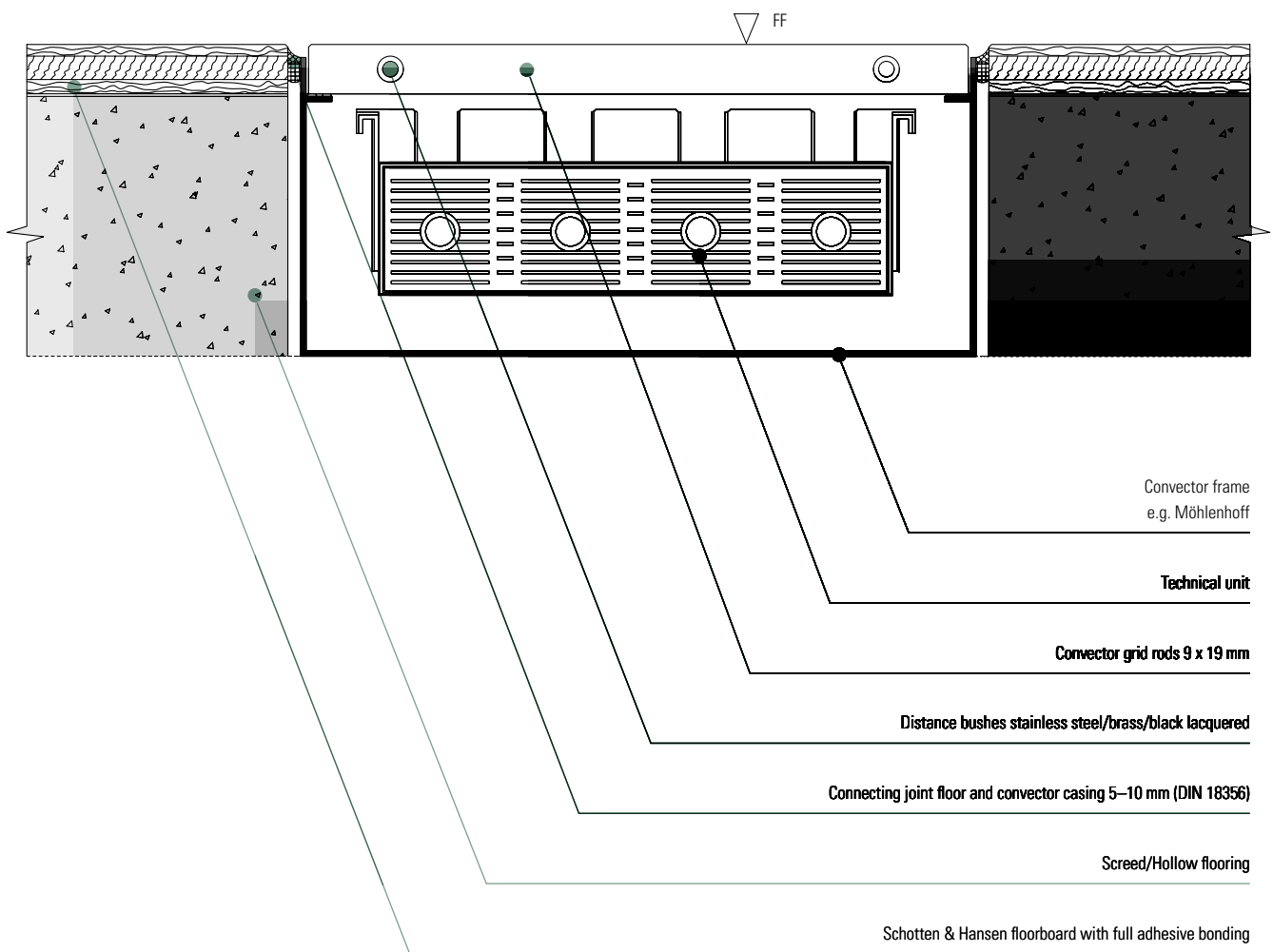
Design convector and convector grid



*Finished Floor Level

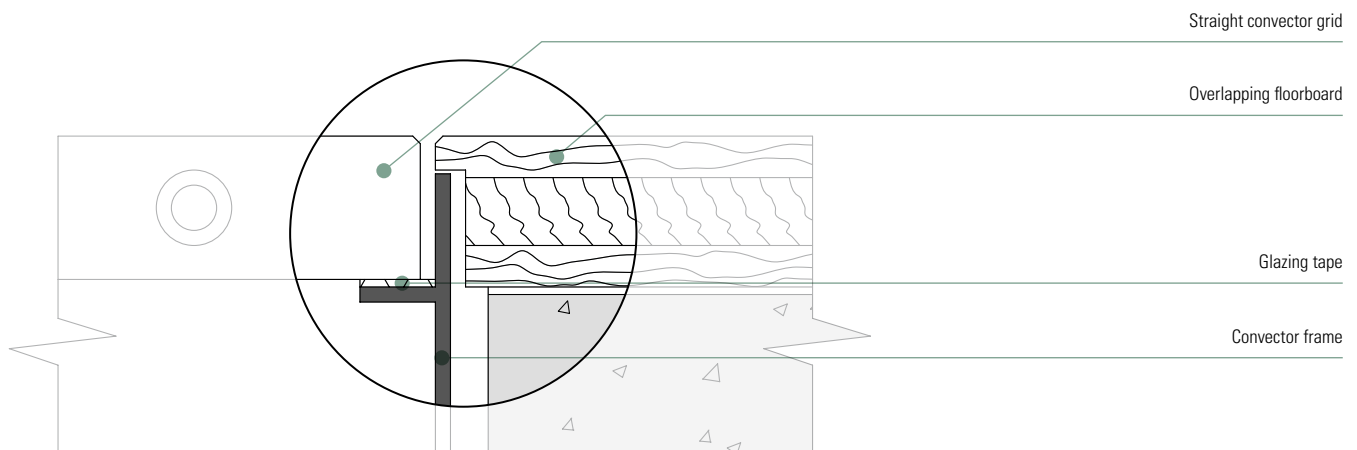
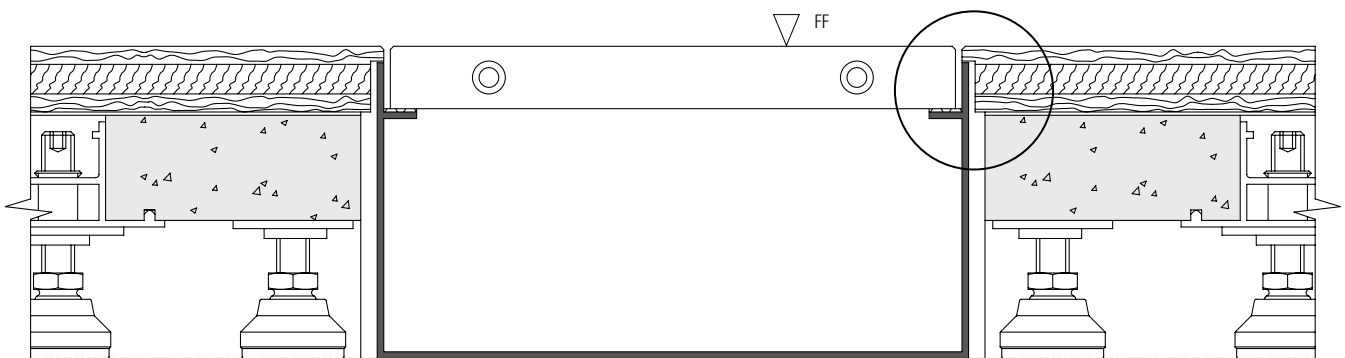
Construction

Schematic design convector with convector grid



Versions

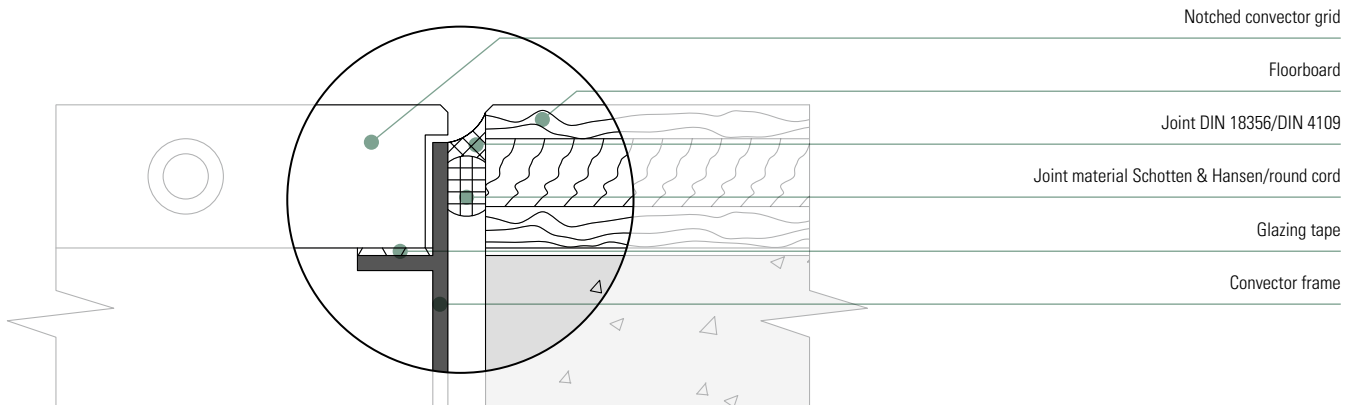
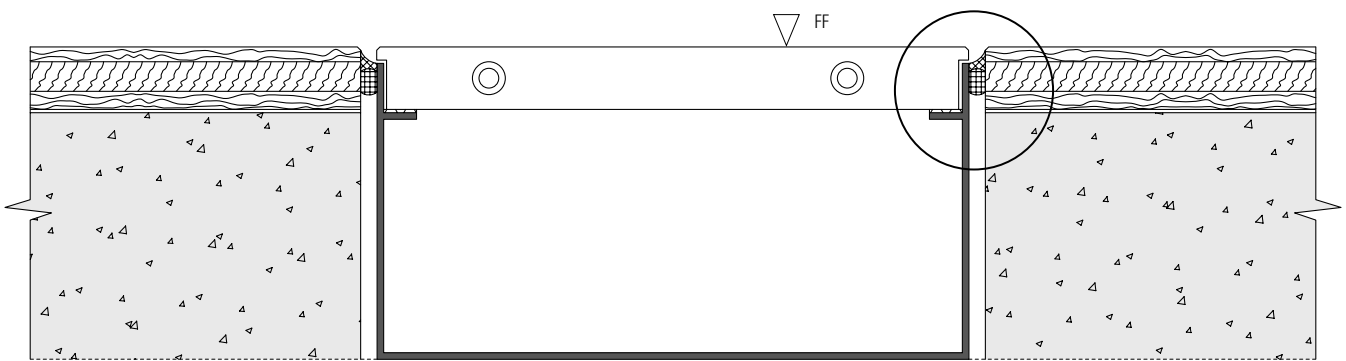
Version 01 – Standard convector grid with overlapping floorboard*



*Sound transmission possible (this only applies to non-settled hollow flooring, e.g. Schotten & Hansen underfloor system).

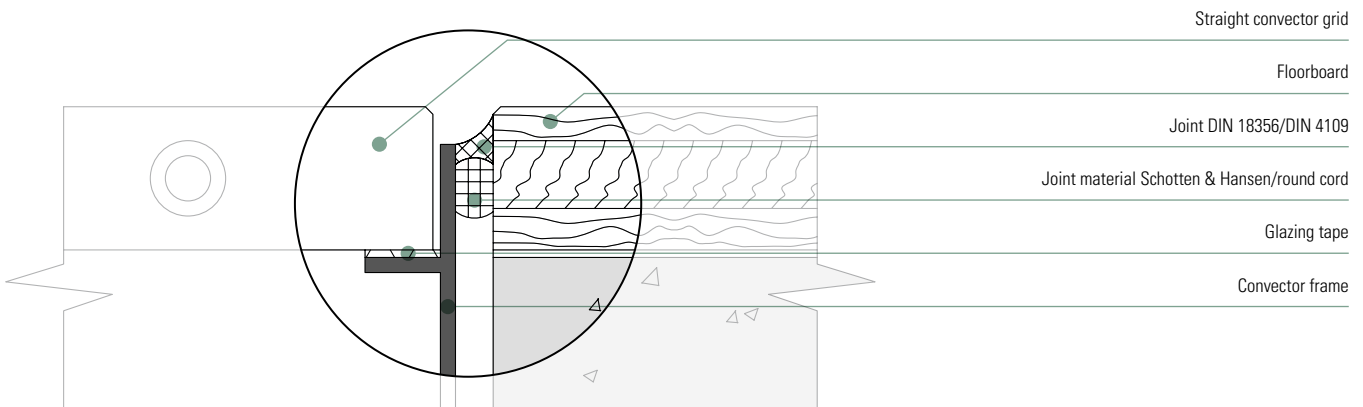
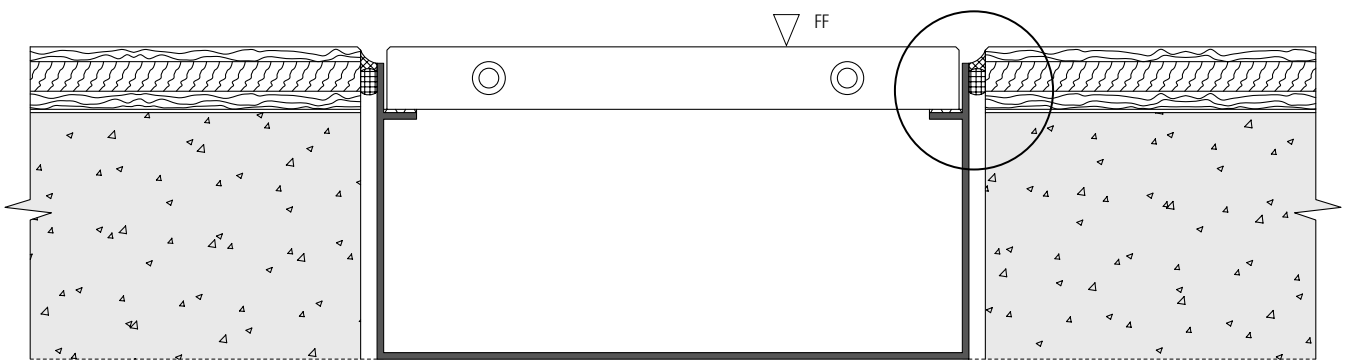
Versions

Version 02 – Notched convector grid (frameless)



Versions

Version 03 – Standard convector grid



Versions

Version 04 – Standard convector grid in mounted frame

