

Flooring Complements

Convector Grille



06/2019 BE KV EN 4

**Schotten
& Hansen**

Nature Refined.

Convector Grille

General Product Information

Description	Convector grille constructed from solid rods as heating and ventilation covers for indoor areas with exchangeable single rods.
Material*	Solid oak wood rods with distance bushes made of stainless steel, brass or lacquered black.
Dimensions	Length A1: min. 500 mm max. 2000 mm Width B1: min. 100 mm max. 350 mm
Ventilation cross section	58 %–66 %, depending on length and width
Rod width / rod height**	9 mm width/height: 20–30 mm incl. glazing tape 1 mm
Surface weight	Approx. 9.5 kg/m ² at a ventilation cross section of 60 %
Alignment	Transversely aligned to convector length
Load capacity	Max. 50 kg/rod at a total width ≤ 250 mm
Maximum load capacity	For normal loads (e.g. walking across) the maximum load capacity depends on the size of the load surface area. This means, that in order to calculate load capacity, the number of the rods to be stressed and the maximum single rod load capacity must be assessed. Example maximum load capacity for 5 rods: 5 × 50 kg = 250 kg (at a convector width of 250 mm).
Installation	No special installation measures required.
Construction requirements	The convector must be mounted accurately. As of 250 mm width, a side-side support will be required. Increased requirements for planarity according to DIN 18202, Table 3, Line 4 (increased requirement floors with finished surfaces)
View into the inspection shaft	With a ventilation cross section of approx. 63 % and a distance starting from approx. 1.40 m and a height of 1.70 m, the view into the inspection shaft will be denied.
Special features	Glazing tape for acoustic separation of convector and convector grille

*oak, other timbers on request

**measurements may vary slightly due to production reasons

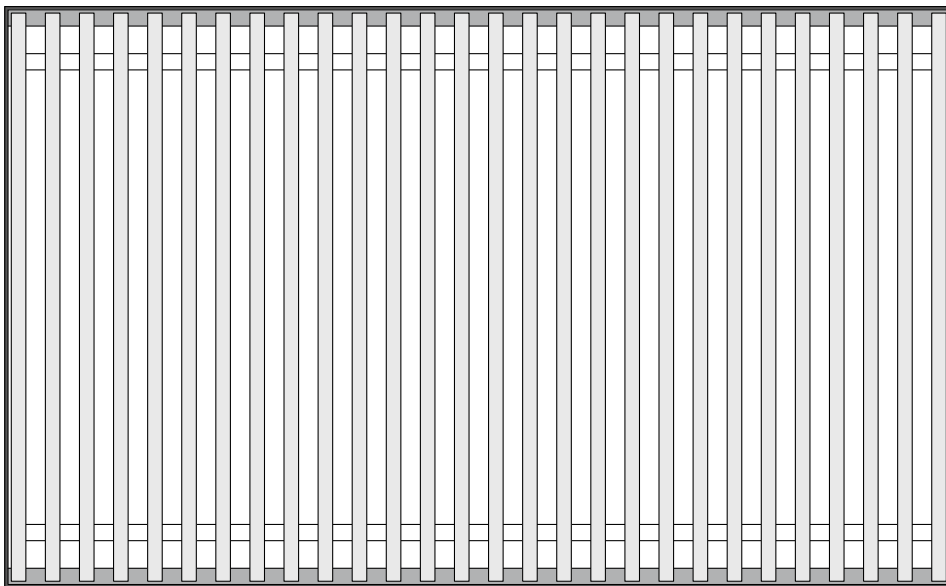
Colours

01 Pearl	05 Antique Ivory	08 Sepia	12 Mocha	16 Black Cherry
02 Beach Shell	06.001 Oyster Dark	09 Corn Gold	13 Dark Clay	17 Linen
03 Honey Gold	06.002 Oyster Light	10 Cognac	14 Chocolate	18 Pebble Stone
04 Cinnamon	07 Smoke	11 Havana	15 Black Olive	19 Drift Wood

Convactor Grille

Dimensions*

A1	A2	B1	B2	C1	C2
Length Convactor grille	Clear length Convactor (order dimension)	Width Convactor grille	Clear width Convactor (order dimension)	Height Convactor grille	Clear height (top edge floor)
500-2000	502-2002	100-350	102-352	19-29	20-30



B1

B2



C1

C2

A1

A2

*All information in millimeters

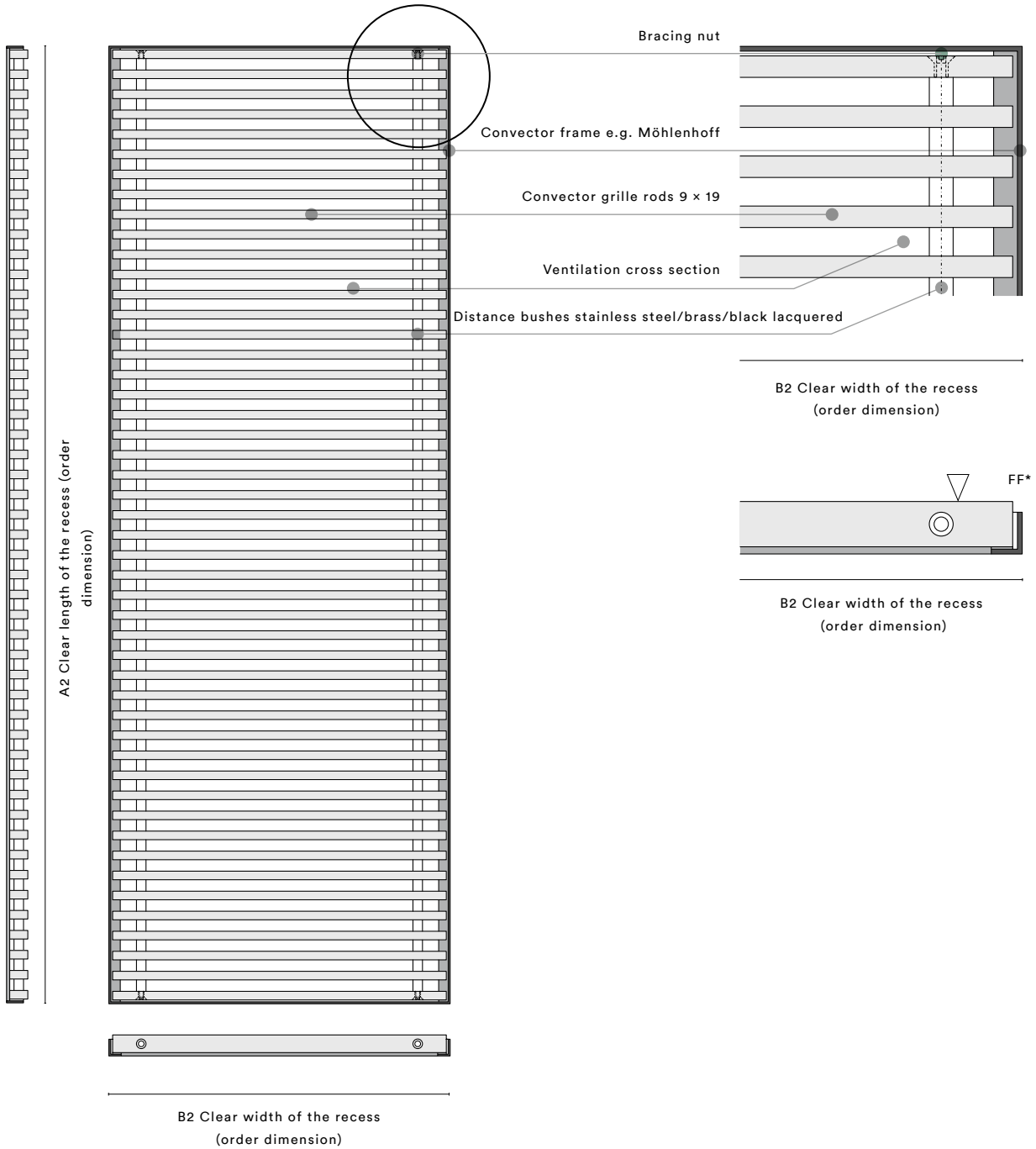
**Schotten
&Hansen**

Schotten & Hansen GmbH, August-Moralt-Straße 1-3, 86971 Peiting,
T +49 8861 908 04-100, kontakt@schotten-hansen.com, www.schotten-hansen.com

Convactor Grille

Construction

Design convactor and convactor grille

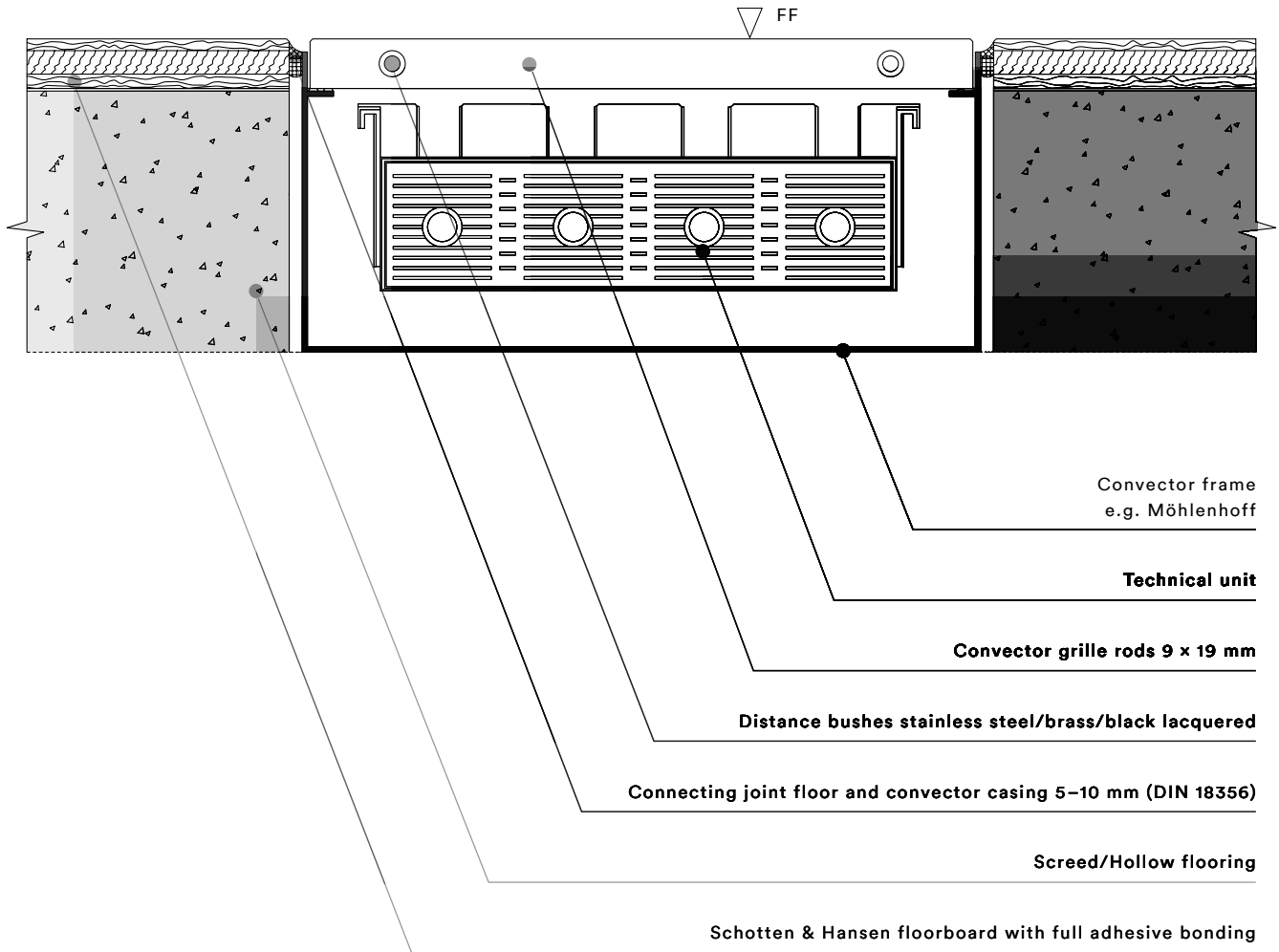


*Finished Floor Level

Convactor Grille

Construction

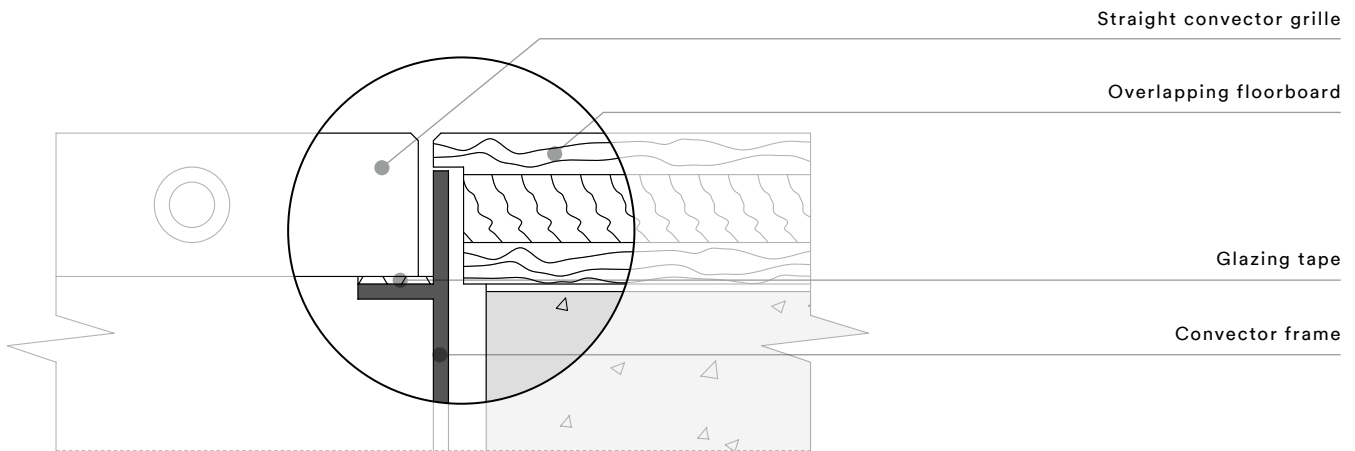
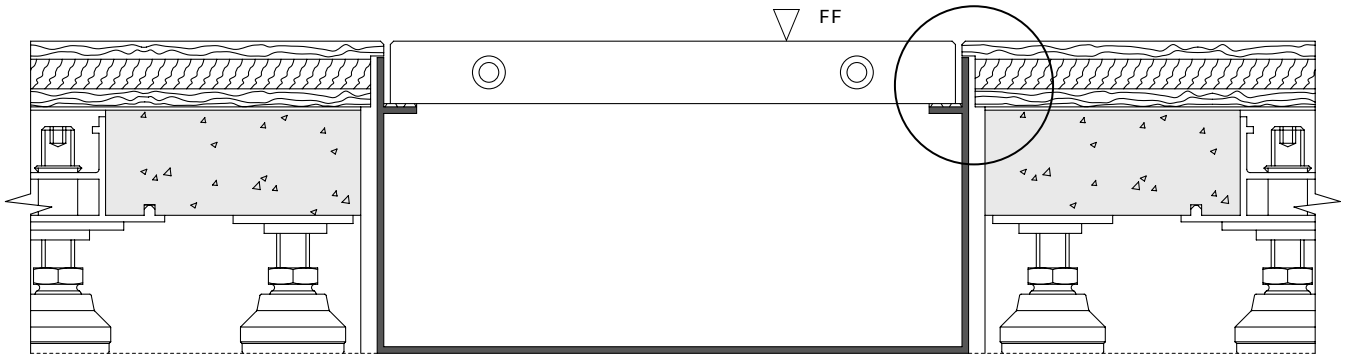
Schematic design convactor with convactor grille



Convactor Grille

Versions

Version 01 - Standard convactor grille with overlapping floorboard*



*Sound transmission possible (this only applies to non-settled hollow flooring, e.g. Schotten & Hansen underfloor system).

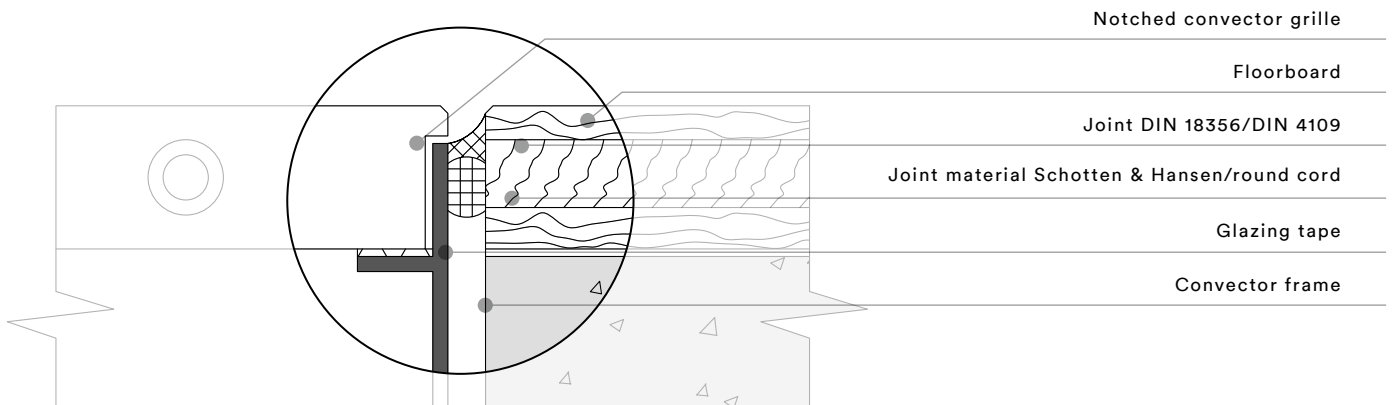
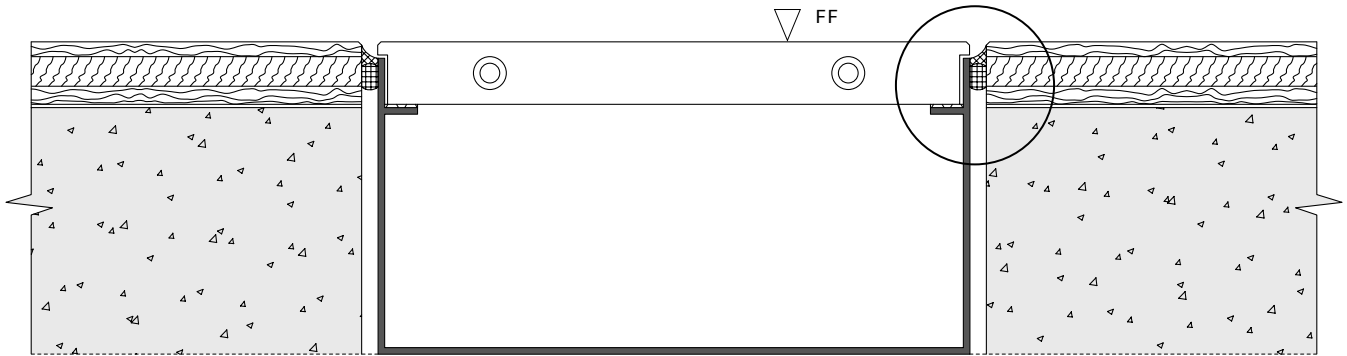
**Schotten
& Hansen**

Schotten & Hansen GmbH, August-Moralt-Straße 1-3, 86971 Peiting,
T +49 8861 908 04-100, kontakt@schotten-hansen.com, www.schotten-hansen.com

Convactor Grille

Versions

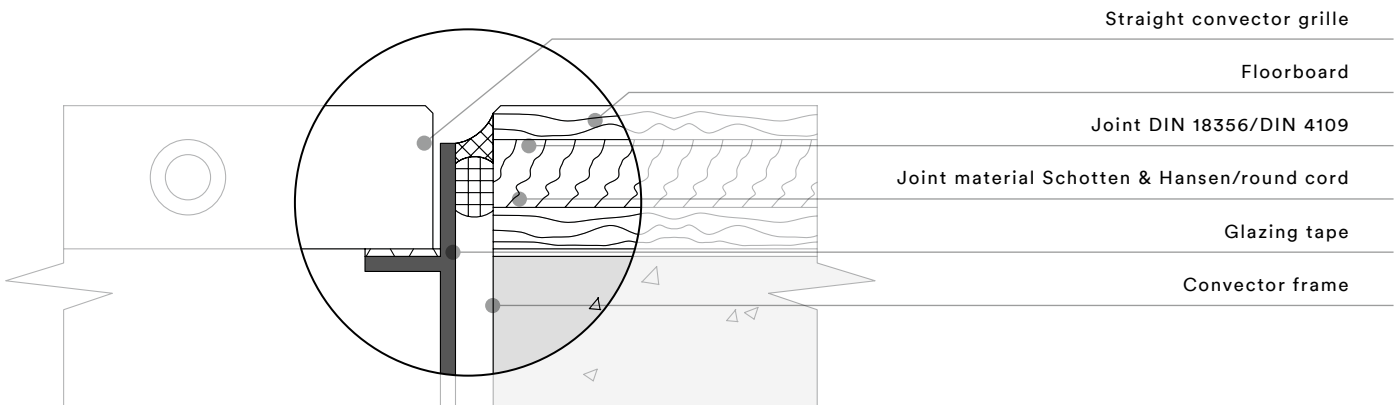
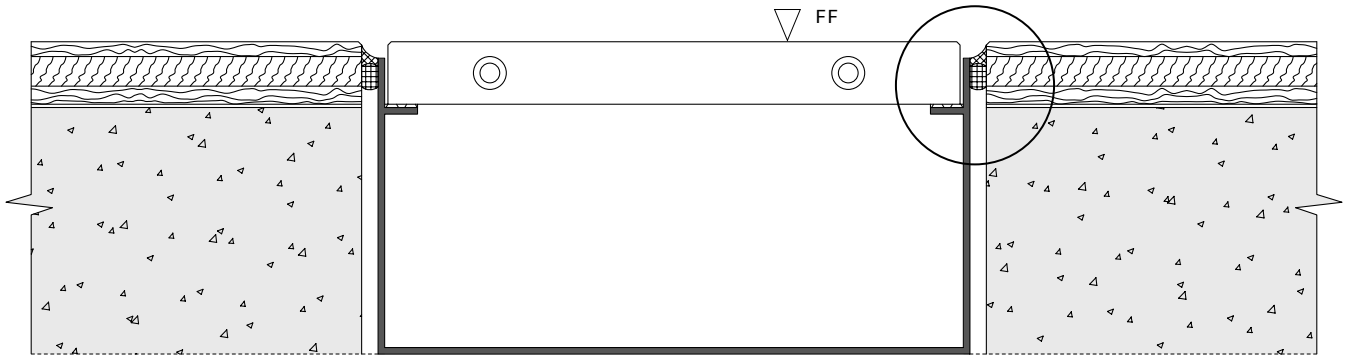
Version 02 - Notched convactor grille (frameless)



Convactor Grille

Versions

Version 03 - Standard convactor grille



Convactor Grille

Versions

Version 04 - Standard convactor grille in mounted frame

