

Sub-floor box

INTERIOR



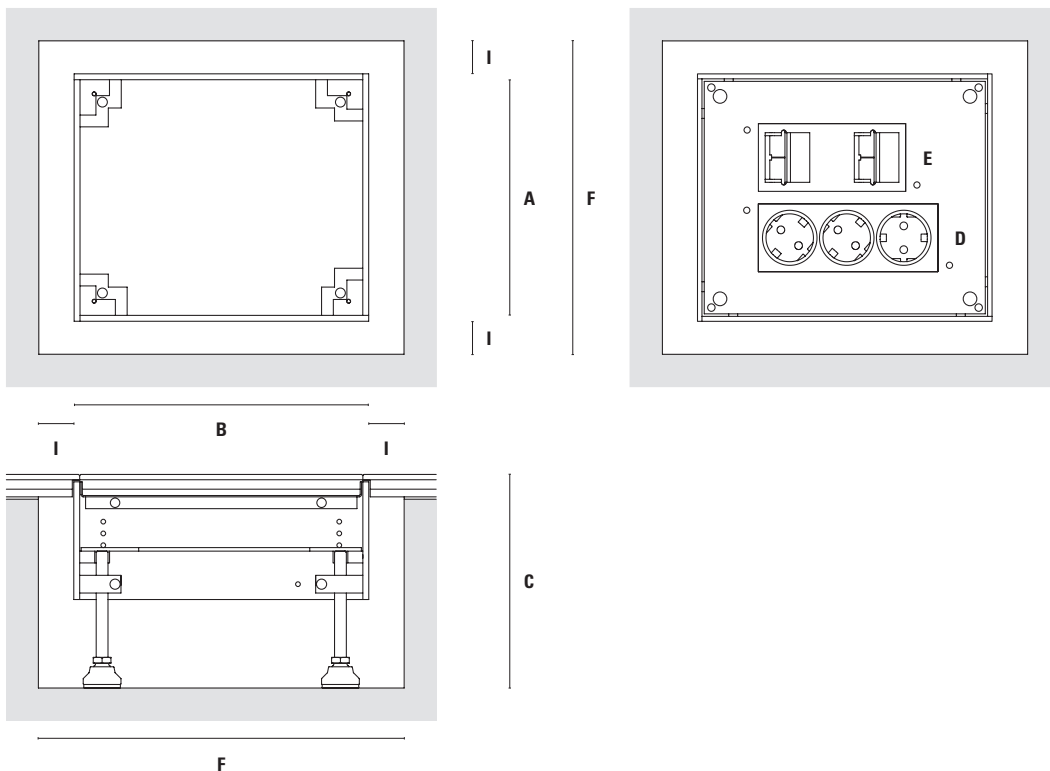
Specification

Description	Schotten & Hansen sub-floor floor tank, with electrical and data connection modules, consisting of: Anodized aluminum casing 5 mm with grounding terminal in compliance with VDE Height adjustable articulated feet Cover with stainless steel or brass outlet Panel Additional features: Floor level flush Without peripheral frame No impact sound transfer as a result of acoustic decoupling
Panel Variants*	Panel with device unit power socket (ready to connect casing) Panel with device unit data outlet (ready to connect casing) Blind panel for empty sockets/cavity sockets** d = 68 mm Panel VL.BT.08 without chasing
Assembly	Easy assembly during floor installation for existing screed/hollow flooring
Construction Requirements	Screed/hollow flooring height ≥ 110 mm Total installation height*** ≥ 131 mm Dry zone Screed/hollow flooring Floor covering thickness: 19 mm Traffic load ≤ 3 kN/m
Dimensions Floor Recess F	see Dimensions
Dimensions Floor Tank	see Dimensions
Specifications	not suitable for wet rooms
Material	Casing: anodized aluminum 5 mm Panel: stainless steel/Dibond** Cable outlet: brushed stainless steel/polished brass**

*Optional | **Coordinated with the power socket covers from Gira and Busch-Jaeger; not included in shipment | ***Measurements quoted refer to a plug height of 40 mm and are subject to change for greater plug heights

Dimensions

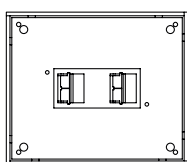
	A	B	C	D	E	F
	Clear Width	Clear Length***	Height Min./Max.	Electrical Connections	Data Ports	Floor Recess W/L
VL.BT.01	200	240	132/260	0	4	300/340
VL.BT.02	200	320	132/260	3	0	300/420
VL.BT.03	240	320	132/260	3	4	340/420
VL.BT.04	240	320	132/260	6	0	340/420
VL.BT.05	200	200	132/260		4*	300/300
VL.BT.06	200	280	132/260		6*	300/380
VL.BT.07	280	280	132/260		9*	380/380
VL.BT.08**	200–320	200–320	132/260	custom	custom	300–420/300–420



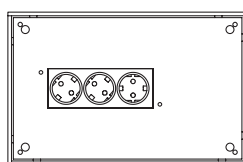
All data quoted in mm | *Number of total connections | **Individual configuration on site by electrician | ***Length in the direction of the floorboard

Design Variants

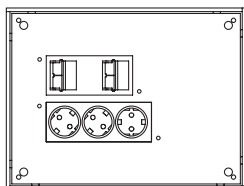
Panel configuration



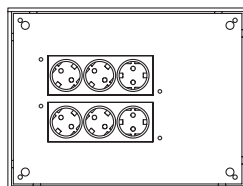
VL.BT.01 200 x 240 mm*
quadruple data socket



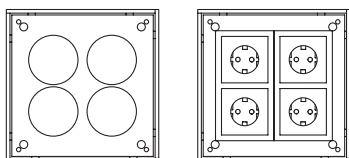
VL.BT.02 200 x 320 mm*
triple power socket



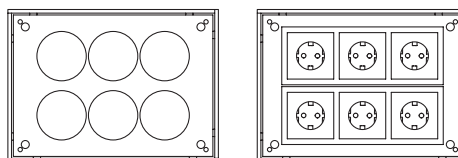
VL.BT.03 240 x 320 mm*
3-fach Steckdose
quadruple data socket



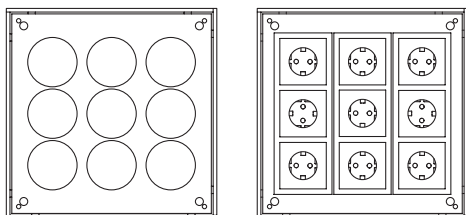
VL.BT.04 240 x 320 mm*
2 x triple power socket



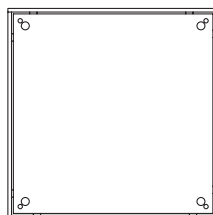
VL.BT.05 200 x 200 mm*
chasing for 4 cavity sockets d = 68 mm, example configuration right



VL.BT.06 200 x 280 mm*
chasing for 6 cavity sockets d = 68 mm, example configuration right



VL.BT.07 280 x 280 mm*
chasing for 9 cavity sockets d = 68 mm, example configuration right

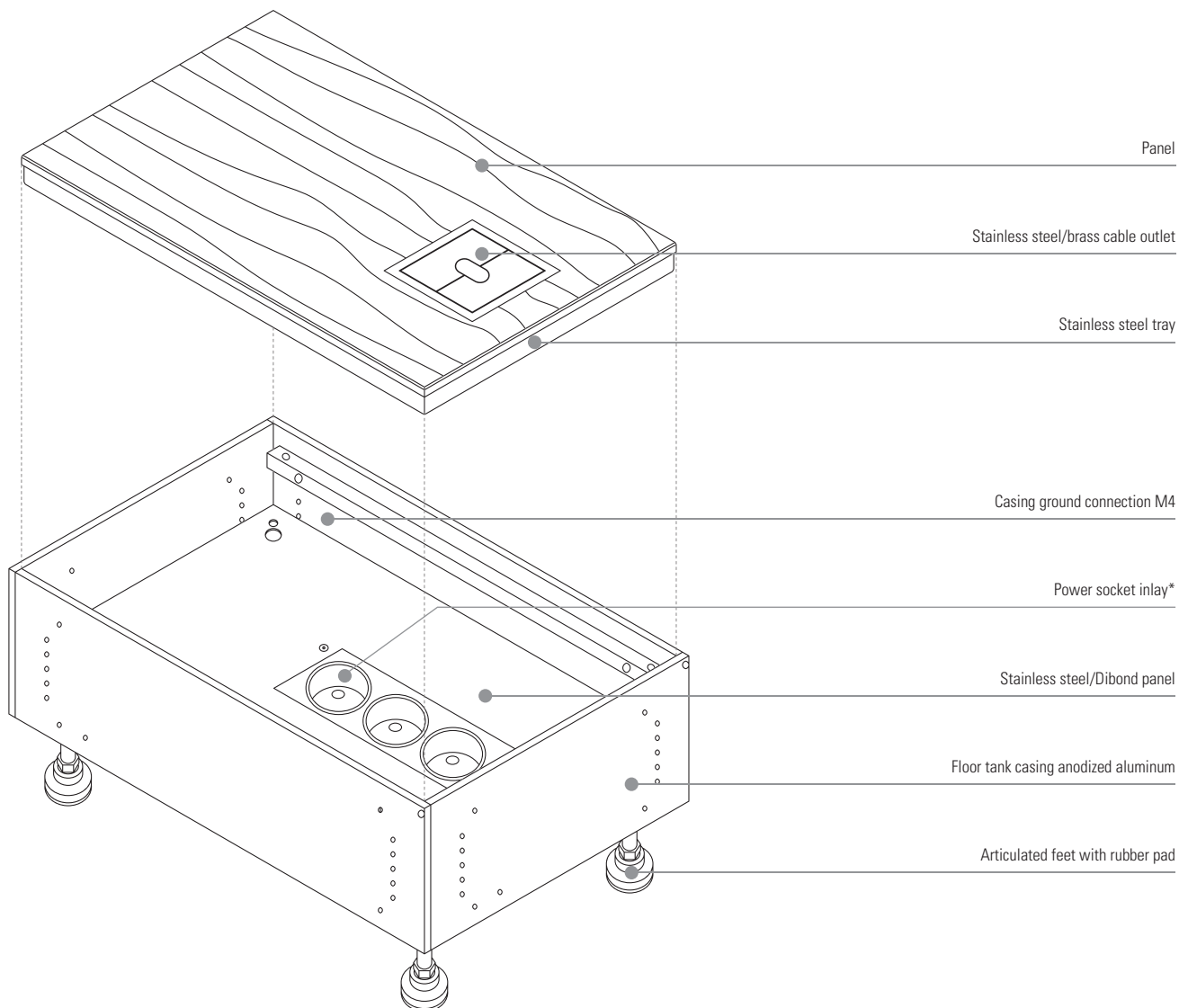


VL.BT.08**
without chasing (on site by electrician)

*Clear interior dimensions | **200–320 mm x 200–320 mm (40 mm grid)

Technical Data

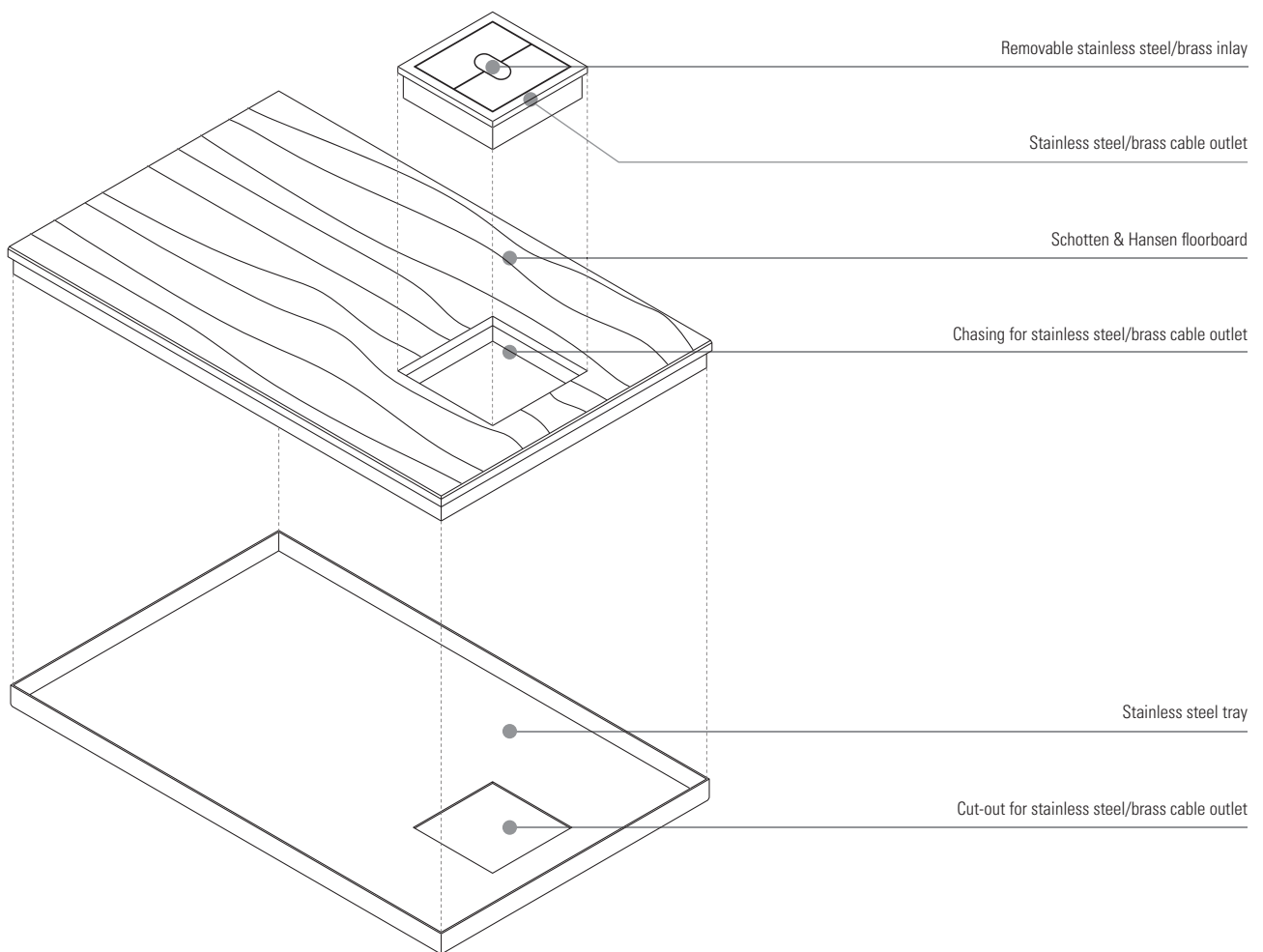
Layout floor tank



*EVoline® by Schulte Elektrotechnik

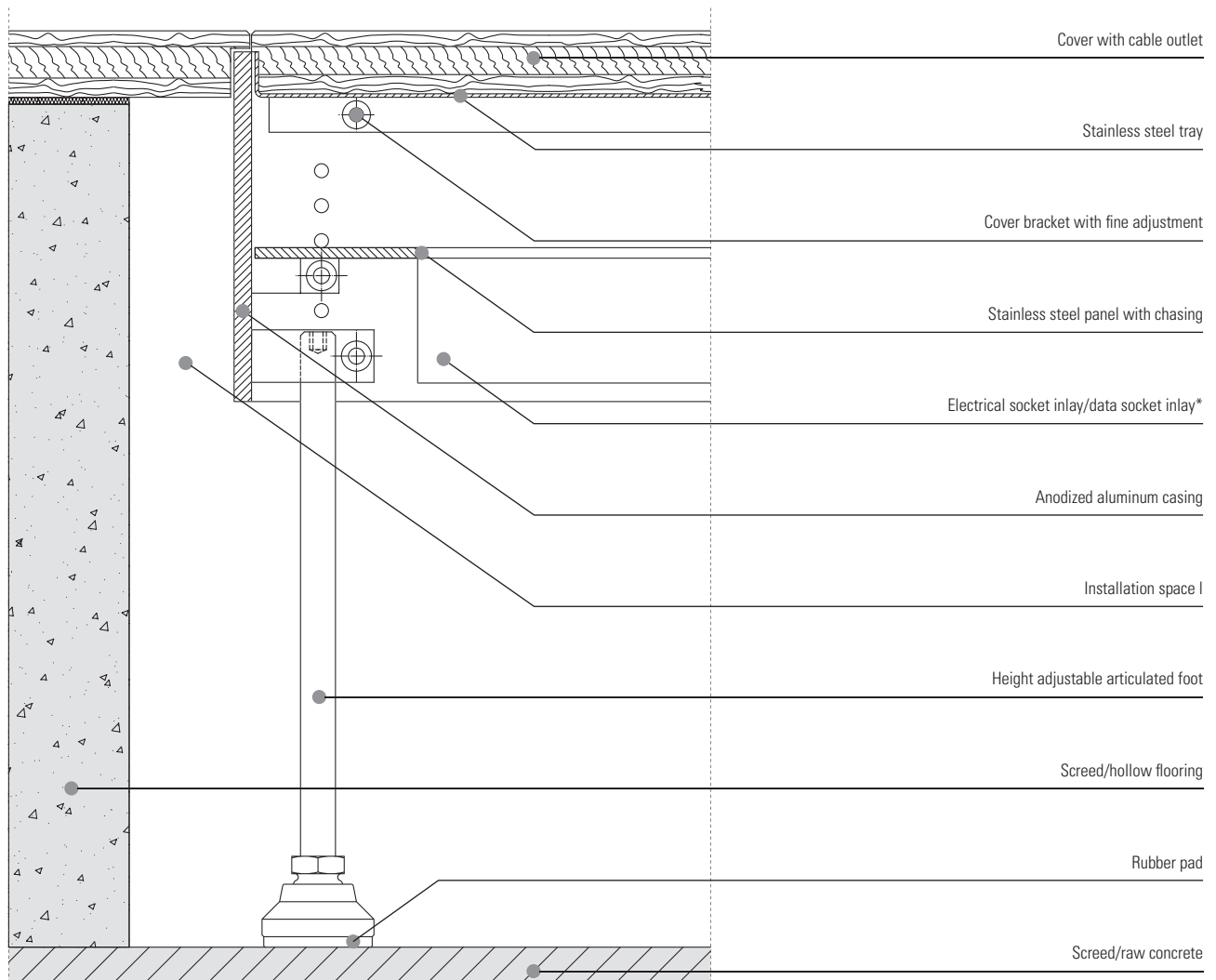
Technical Data

Layout floor tank cover



Technical Data

Cross section



*EVoline® by Schulte Elektrotechnik