

Flooring Complements

Step Collection



08/2023 BE TR EN 5

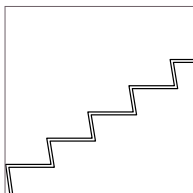
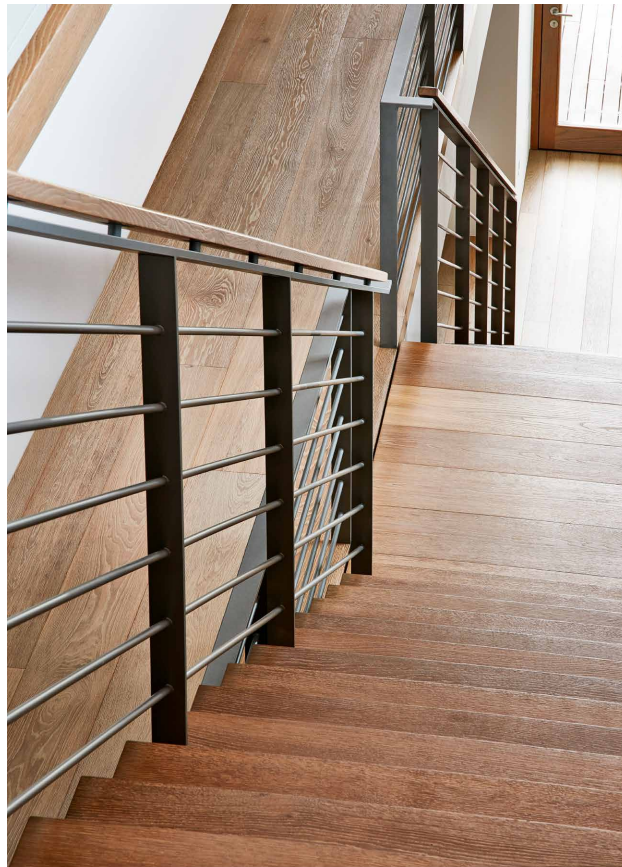
**Schotten
& Hansen**

Nature Refined.

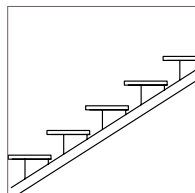
Step Collection

Product Information

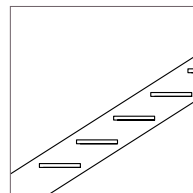
Schotten & Hansen manufactures steps and staircases to match and complement individual design concepts. Grain selection, finish and coloration can be harmonized with flooring or any other wooden interior elements to create precious spaces.



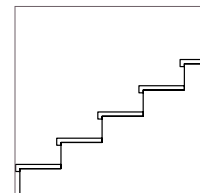
Folded Staircase



Box Tread Staircase



Cut/Wall String
Staircase



Tread and Riser
Cladding with
Nosing

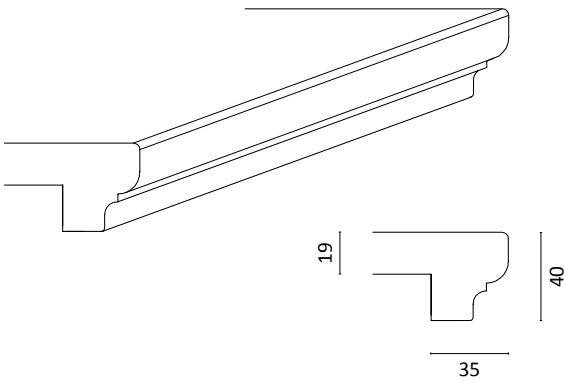
**Schotten
& Hansen**

Schotten & Hansen GmbH, August-Moralt-Straße 1, 86971 Peiting, Germany
T +49 8861 90804-0, kontakt@schotten-hansen.com, www.schotten-hansen.com

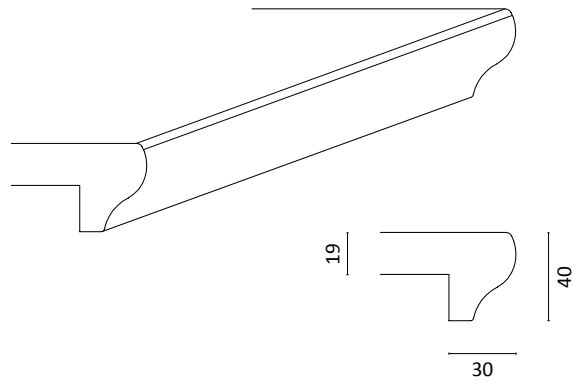
Step Collection

Profiles

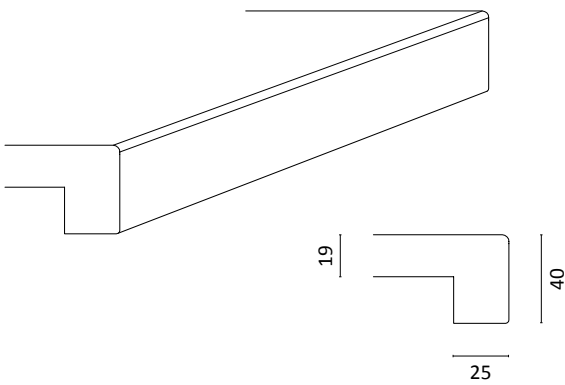
Profile SP01



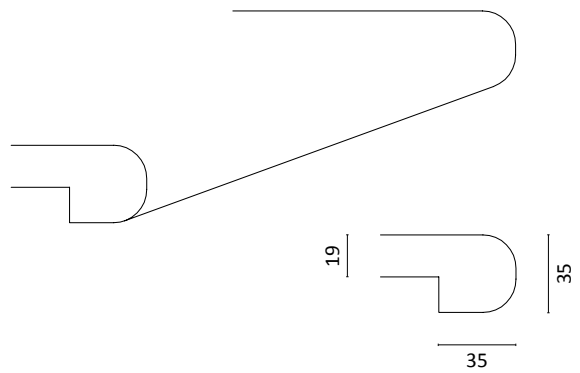
Profile SP02



Profile SP03



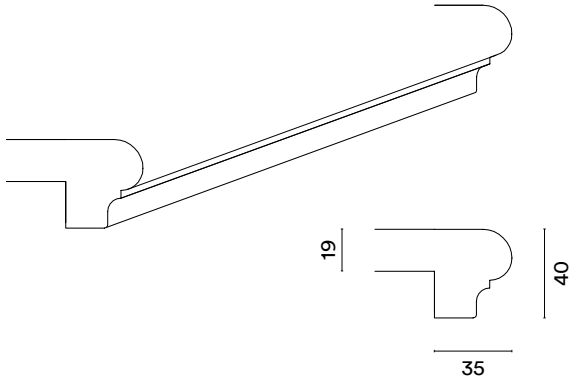
Profile SP04



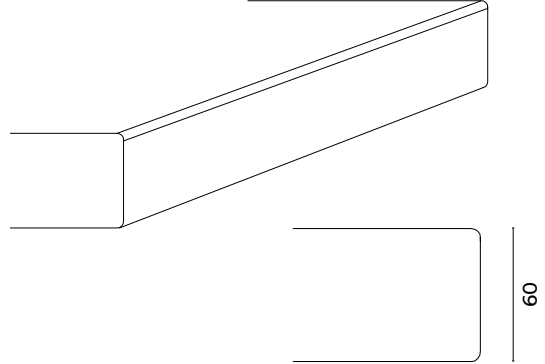
Step Collection

Profiles

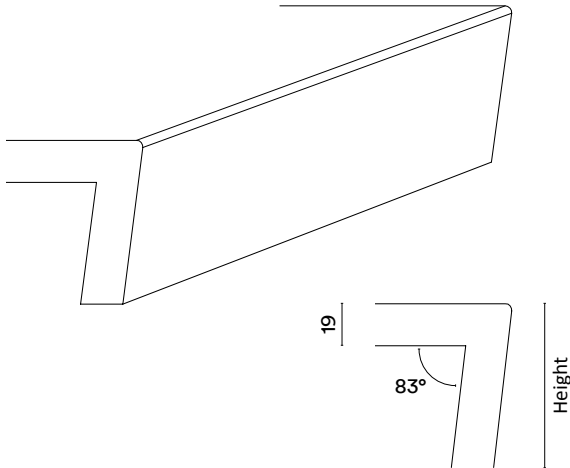
Profil SP05



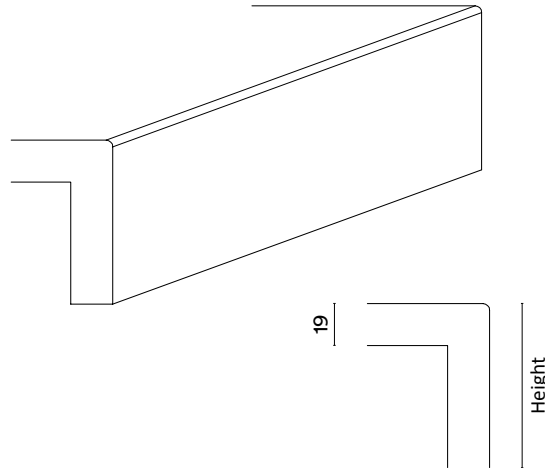
Profil SP06



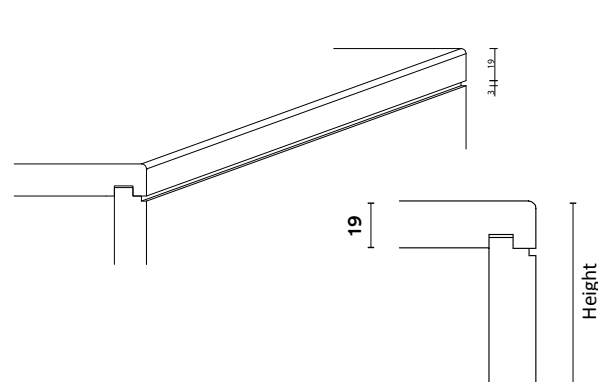
Profil SP07



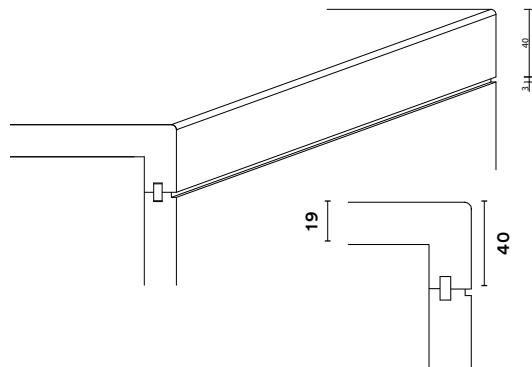
Profil SP08



Profil SP08 MILANO



Profil SP03 MILANO

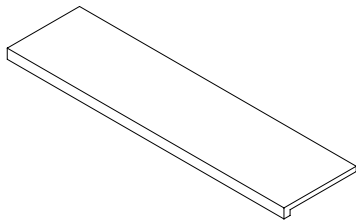
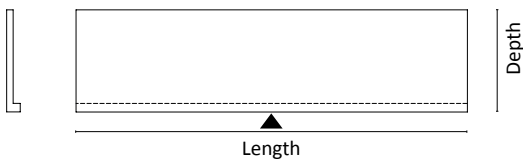


**Schotten
&Hansen**

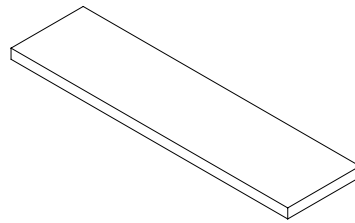
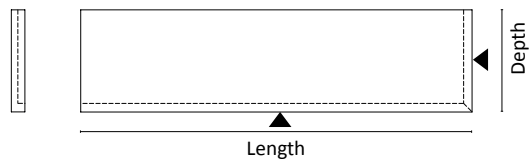
Step Collection

Types

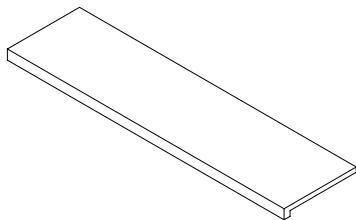
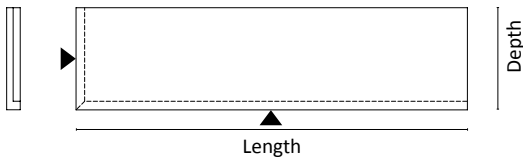
Type A
Profile SP01.01 –
Profile SP05.01



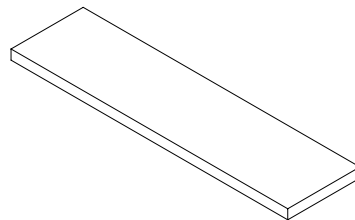
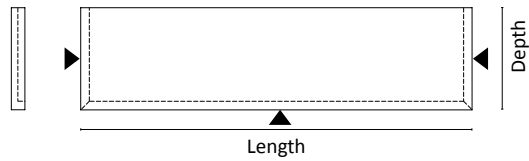
Type B
Profile SP01.01 –
Profile SP05.01



Type C
Profile SP01.01 –
Profile SP05.01



Type D
Profile SP01.01 –
Profile SP05.01

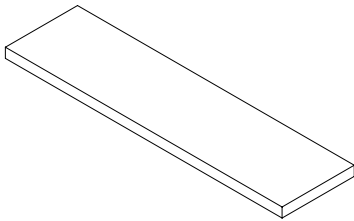
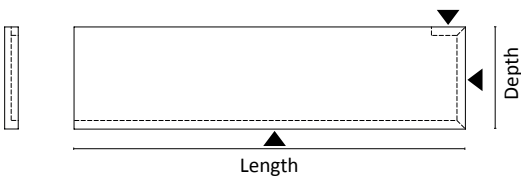


▲ visible edges

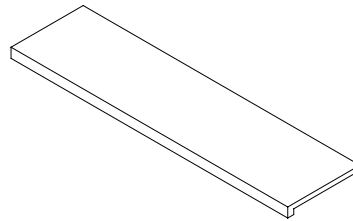
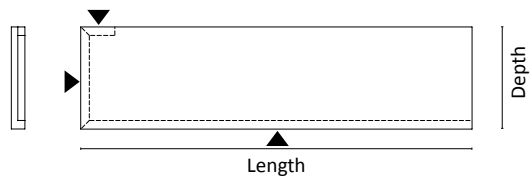
Step Collection

Types

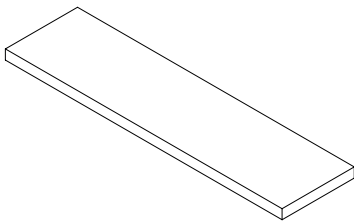
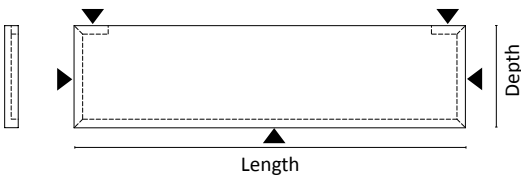
Type E
Profile SP01.01 –
Profile SP05.01



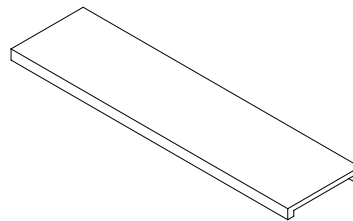
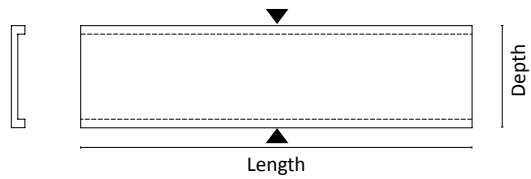
Type F
Profile SP01.01 –
Profile SP05.01



Type G
Profile SP01.01 –
Profile SP05.01



Type H
Profile SP01.01 –
Profile SP05.01

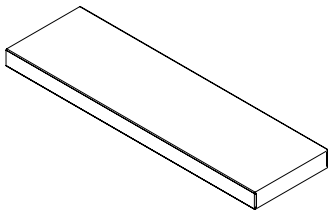
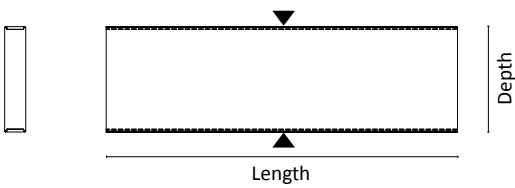


▲ visible edges

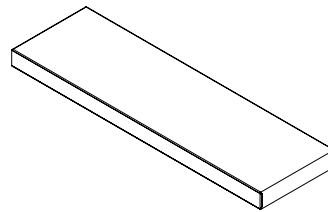
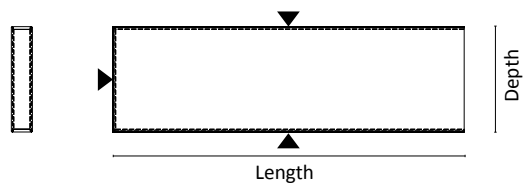
Step Collection

Types

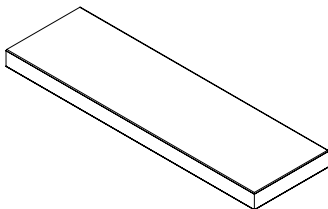
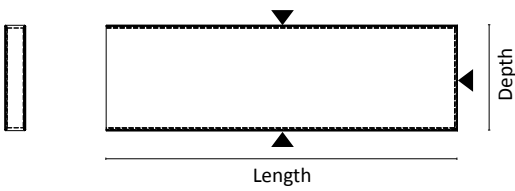
Type K
Profile SP06.01



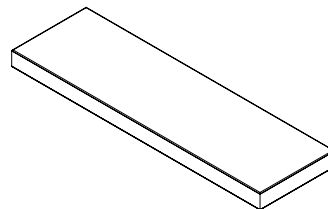
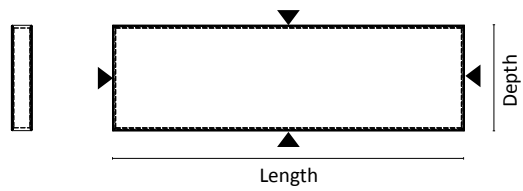
Type L
Profile SP06.01



Type M
Profile SP06.01



Type N
Profile SP06.01

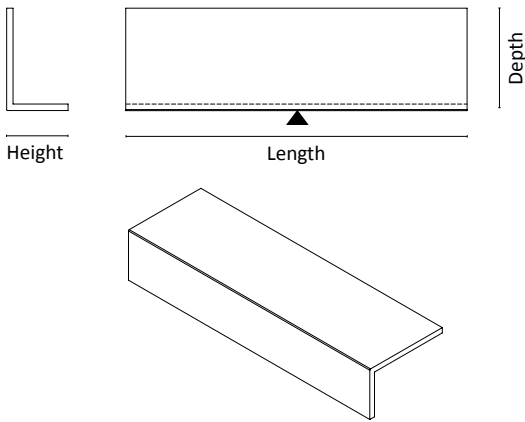


▲ visible edges

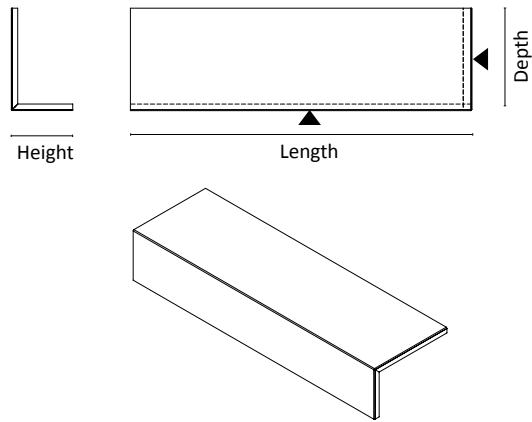
Step Collection

Types

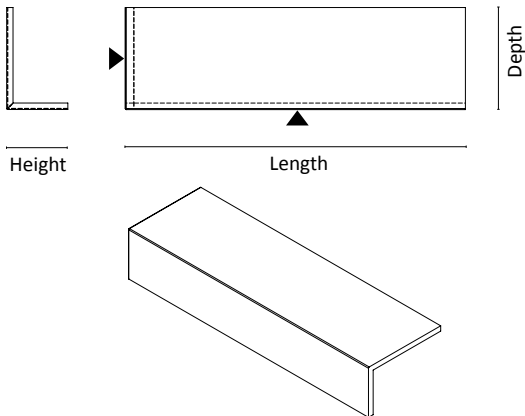
Type O
Profile SP07.01 –
Profile SP08.01



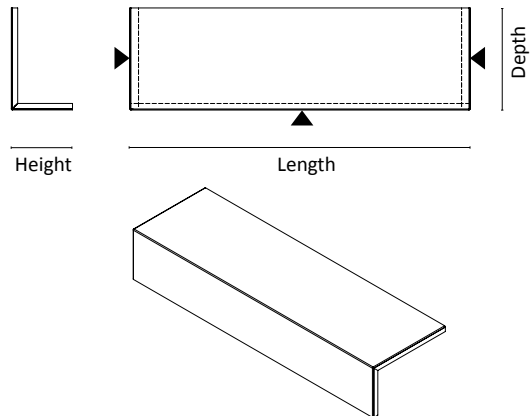
Type P
Profile SP07.01 –
Profile SP08.01



Type Q
Profile SP07.01 –
Profile SP08.01



Type R
Profile SP07.01 –
Profile SP08.01

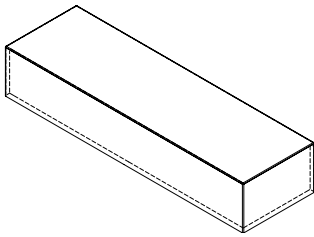
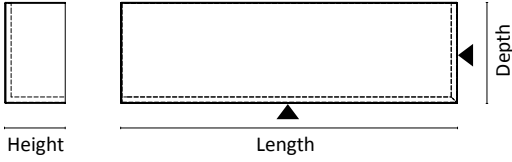


▲ visible edges

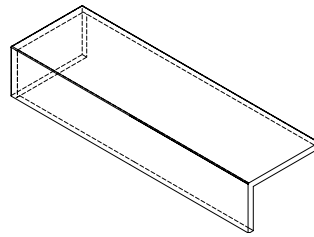
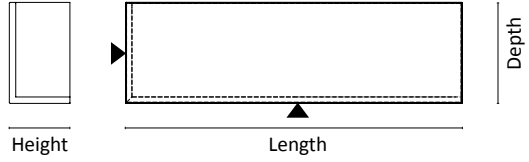
Step Collection

Types

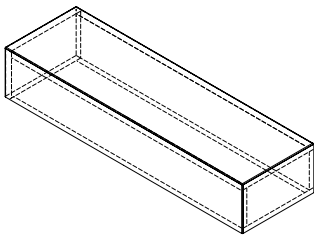
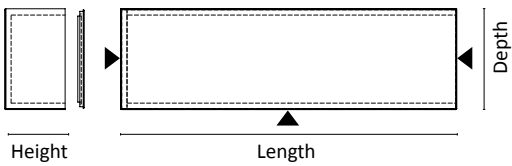
Typ S
Profil SP08.01



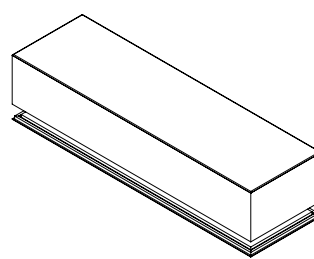
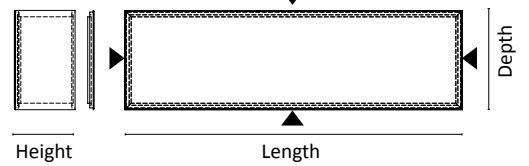
Typ T
Profil SP08.01



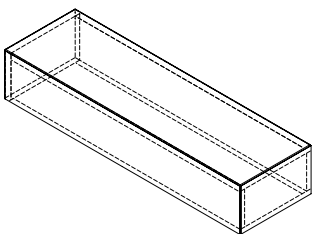
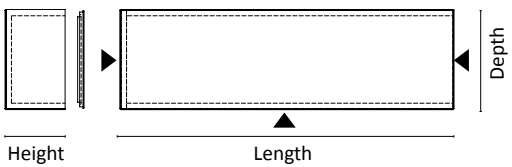
Typ U
Profil SP08.01



Typ V
Profil SP08.01



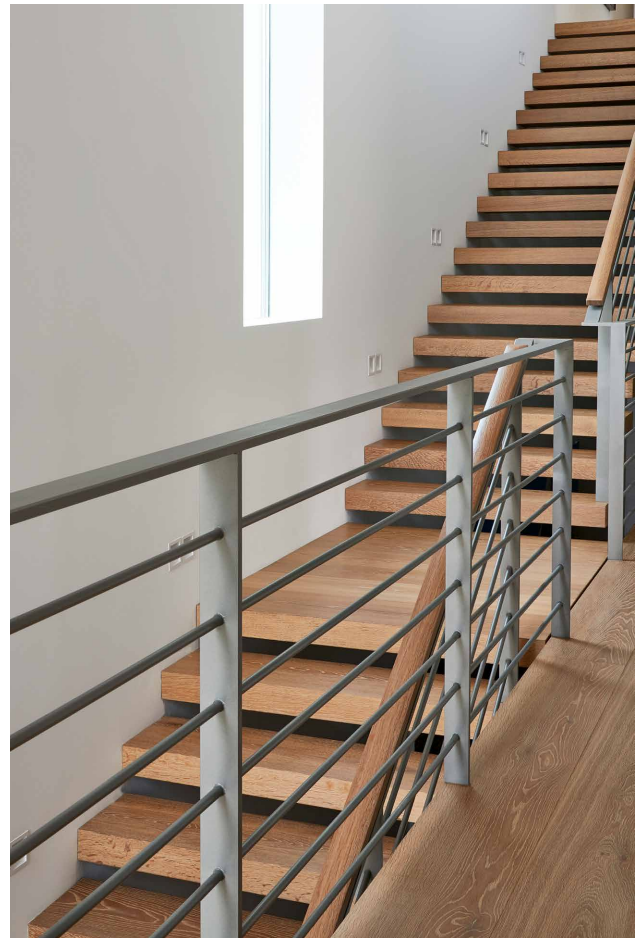
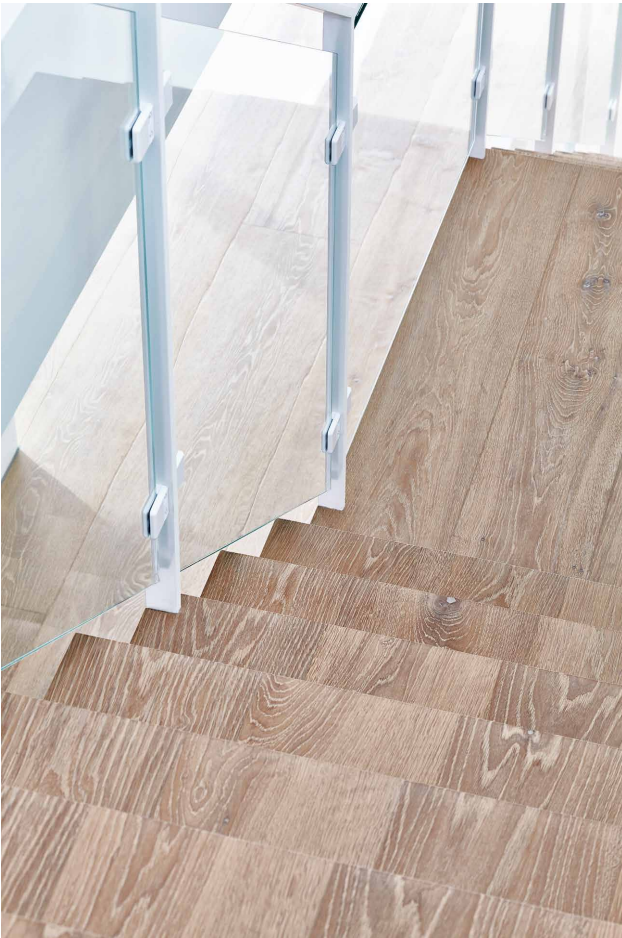
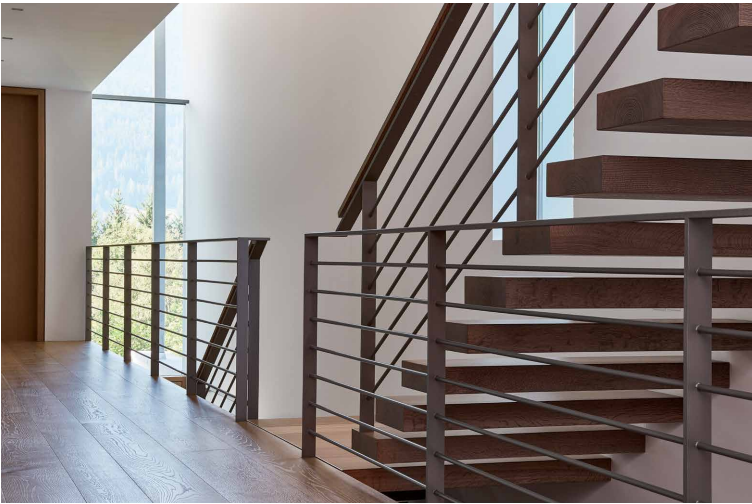
Typ W
Profil SP08



▲ visible edges

Step Collection

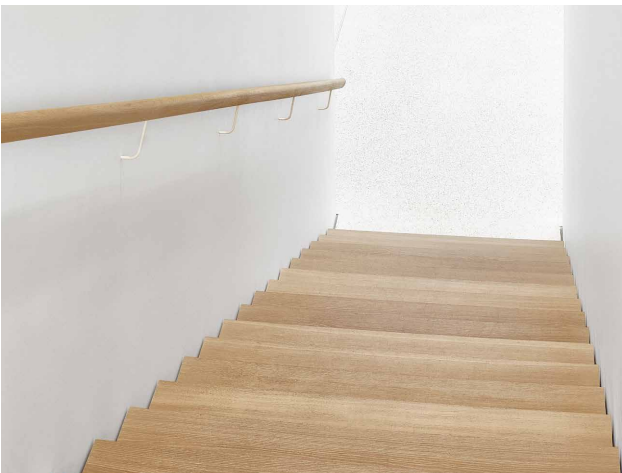
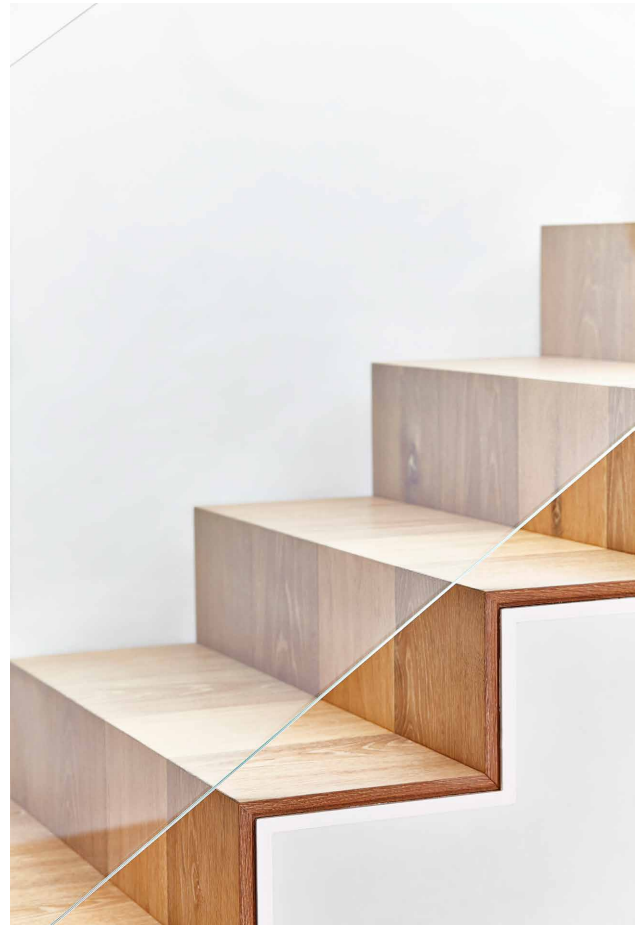
Impressions



**Schotten
&Hansen**

Step Collection

Impressions



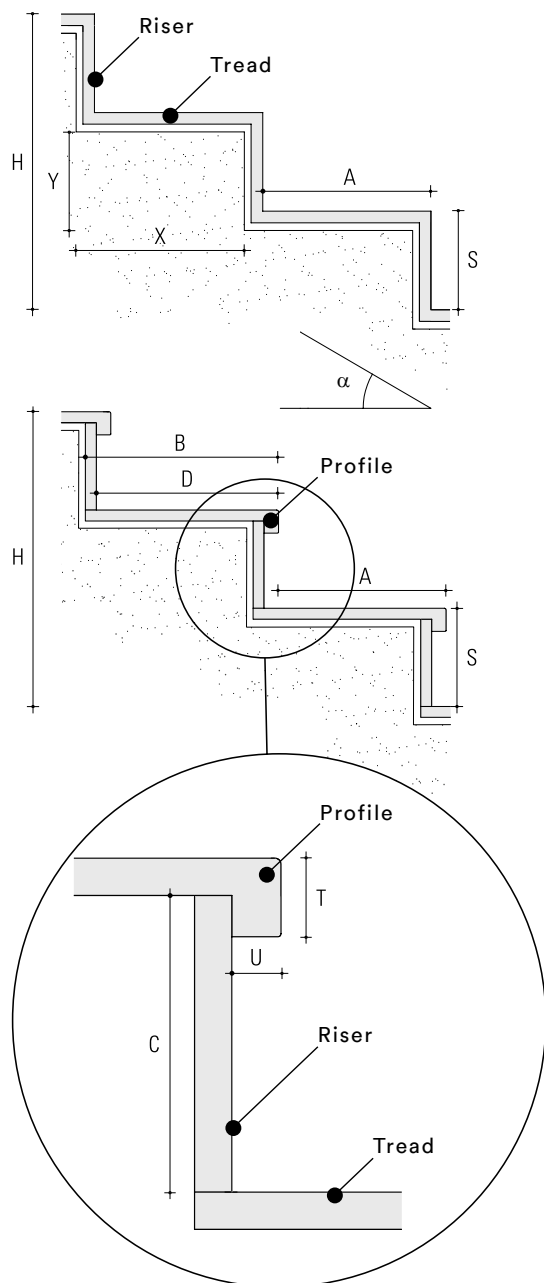
08/2023 BE TR EN 5

**Schotten
&Hansen**

Schotten & Hansen GmbH, August-Moralt-Straße 1, 86971 Peiting, Germany
T +49 8861 90804-0, kontakt@schotten-hansen.com, www.schotten-hansen.com

Step Collection

Glossary / Details



Essential for the physical effort when climbing a stair is the rise ratio S/A , which is derived from the inseam of an adult human. This is on average 63 cm. For the definition of a slope ratio with low energy requirements, the formula is: $2 S + A = 63 \text{ cm}$. The for humans physiologically cheap „Get Work“ is given at an inclination angle of the staircase of 30° and a rise ratio of $S/A = 17/29 \text{ cm}$.*

Overview of slope ratios (after pith ration) and tilt angles:

12,5/37,5	= 20°
15/33	= 24°
17/29	= 30° (optimum)
21/21	= 45°

(After DIN 18 065 A is max. 37 cm and S has to have min. 14 cm)

The stair barrel length is min. 3 and max . 18 successive - steps; during long flights of stairs every 18 steps should be arranged an intermediate landing at the latest. The number of steps is resulting from the rise number, which in turn derives from the floor height and slope (rise number = H/S). For the determination of the steps 1 is subtracted from the previous result.

Based on the slope ratio the ideal slope number is for example in a house with a floor height of around 270 cm 16 rises , which results in 15 steps or stages.

(*after Ernst Neufert „Bauentwurfslehre“ 35. Auflage)

A	B	C	D	H	S
Steps Tread	Depth-Tread	Height Riser	Steps Tread produced	Storey Height	Rise
T	U	X	Y	α	
Thick-ness Tread	Unter-tritt	Tread Shell	Rise Shell	Angle of inclination	